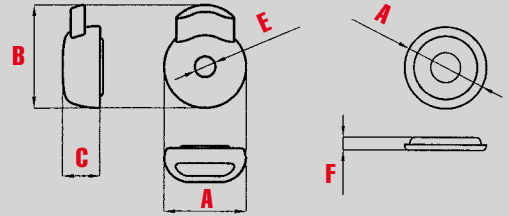




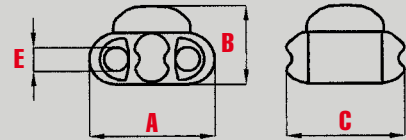
Fermacorda - Terminali
Cordlocks - Cord ends

RING



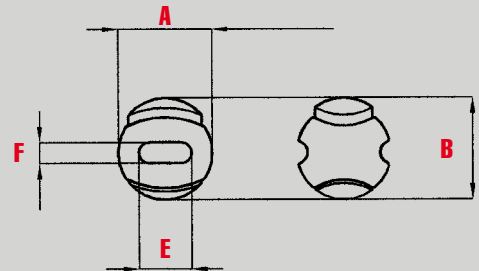
MOD.	MAT.	COL.	A	B	C	E	F
RING	N	Std.	Ø 22	27.8	10	Ø 5.5	3.5

BATMAN



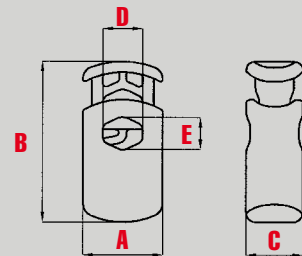
MOD.	MAT.	COL.	A	B	C	E
BATMAN	N	Std.	25.5	16	24	Ø 5

BALL



MOD.	MAT.	COL.	A	B	E	F
BALL	N	Std.	Ø 18	19.5	10.1	4

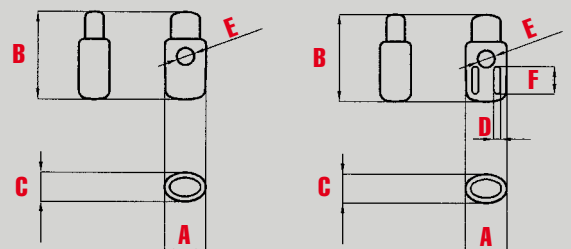
ECO/01



MOD.	MAT.	COL.	A	B	C	D	E	F
ECO/01	A	Std.	12	24	8.5	6	5	

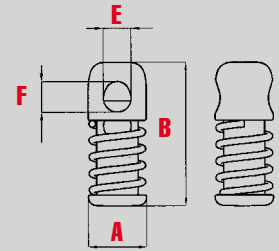
LITTLE

LITTLE/3



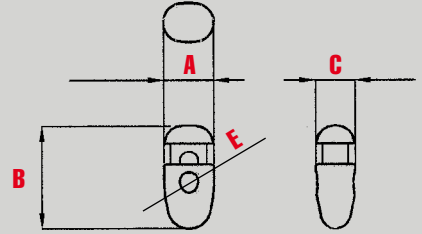
MOD.	MAT.	COL.	A	B	C	D	E	F
LITTLE	N	Std.	12	25.5	8.5		Ø 5	
LITTLE/3	N	Std.	12	25.5	8.5	2	Ø 5	8

SPRING/5



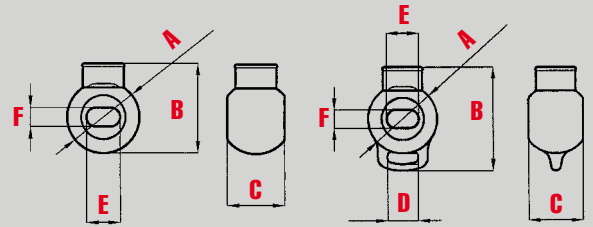
MOD.	MAT.	COL.	A	B	E	F
SPRING/5	N	Std.	Ø 10.5	26	5	5.5

DROP



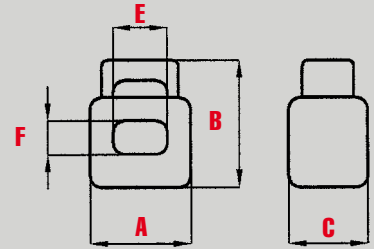
MOD.	MAT.	COL.	A	B	C	E
DROP	N	Std.	9.5	20	7.5	Ø 3.5

PICK UP/P **PICK UP/F10**



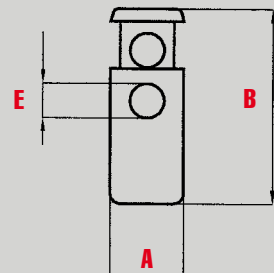
MOD.	MAT.	COL.	A	B	C	D	E	F
PICK UP/P	N	Std.	Ø 18	22.5	14		8.4	5
PICK UP/F10	N	Std.	Ø 18	27	14	8	8.4	5

PICK UP/M



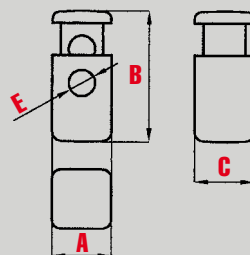
MOD.	MAT.	COL.	A	B	C	E	F
PICK UP/M	N	Std.	17.5	22	13.5	9.5	6

PICK UP/GN



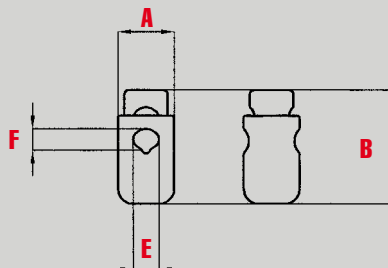
MOD.	MAT.	COL.	A	B	E
PICK UP/GN	N-PP	Std.	Ø 16	42.5	Ø 7.5

BLOK



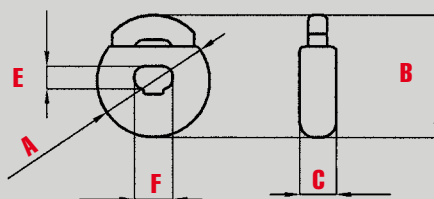
MOD.	MAT.	COL.	A	B	C	E
BLOK	N	Std.	13	28.8	13	Ø 5.8

JAP



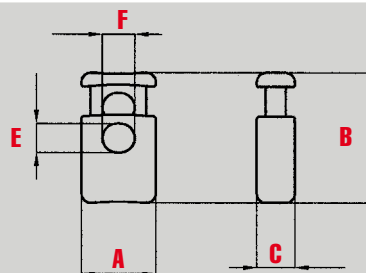
MOD.	MAT.	COL.	A	B	E	F
JAP	N	Std.	Ø 13	26.5	6	5

POLO



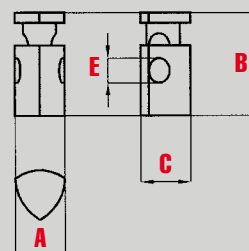
MOD.	MAT.	COL.	A	B	C	E	F
POLO	N	Std.	Ø 23	24.9	7.4	4.6	7.8

FC/2



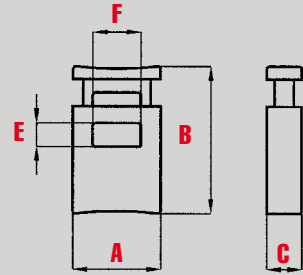
MOD.	MAT.	COL.	A	B	C	E	F
FC/2	N	Std.	16.4	28.8	8.4	6.5	7.2

TR/1



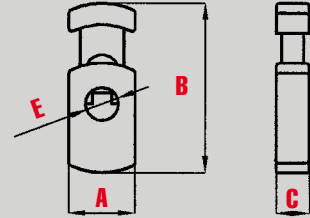
MOD.	MAT.	COL.	A	B	C	E
TR/1	N	Std.	12	25	12	6

NYCORD



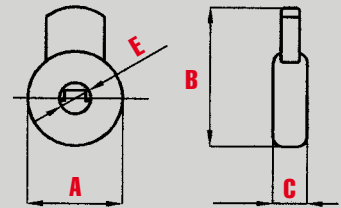
MOD.	MAT.	COL.	A	B	C	E	F
NYCORD	A	Std.	18.4	31	7.3	5	10

MICRO



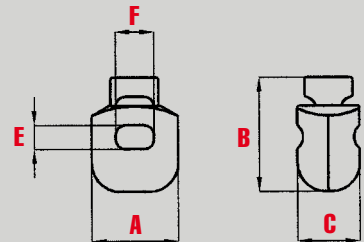
MOD.	MAT.	COL.	A	B	C	E
MICRO	N	Std.	12	31	6	Ø 6

FLAT



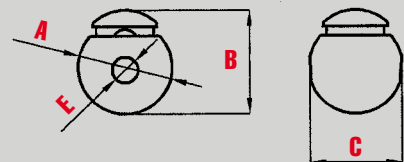
MOD.	MAT.	COL.	A	B	C	E
FLAT	N	Std.	Ø 18	26.5	6.5	Ø 6

DM/2



MOD.	MAT.	COL.	A	B	C	E	F
DM/2	N	Std.	18	24	13	5	8

SFERA

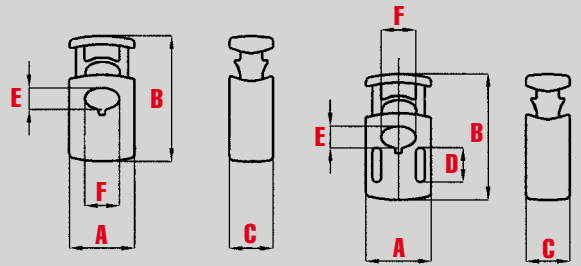


MOD.	MAT.	COL.	A	B	C	E
SFERA	N	Std.	Ø 18	20	17.5	Ø 5

F1

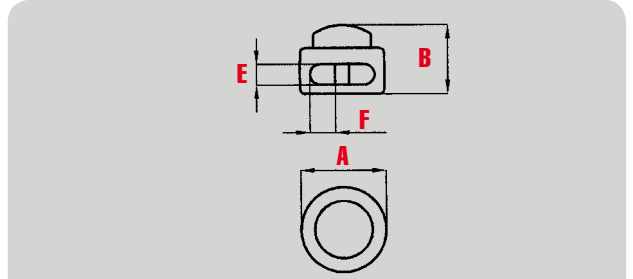


F3



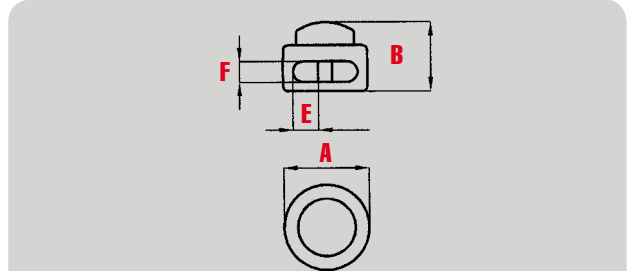
MOD.	MAT.	COL.	A	B	C	D	E	F
F1	N	Std.	15	29	10		5	8
F3	N	Std.	15	29	10	8	5	8

DISCO/SM



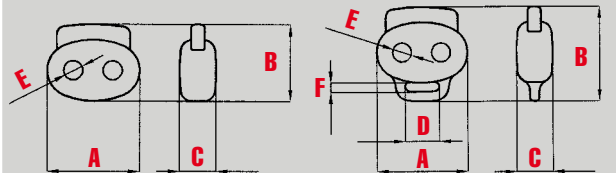
MOD.	MAT.	COL.	A	B	E	F
DISCO/SM	N	Std.	Ø 15	11	4.5	3.5

DISCO



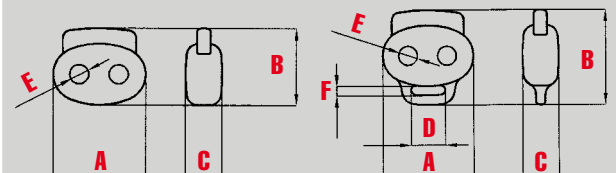
MOD.	MAT.	COL.	A	B	E	F
DISCO	N	Std.	Ø 18.5	15	5.5	4.5

DOUBLE **DOUBLE/P10**



MOD.	MAT.	COL.	A	B	C	D	E	F
DOUBLE	N	Std.	24	20	9.2		Ø 5	
DOUBLE/P10	N	Std.	24	25	9.2	9	Ø 5	2.5

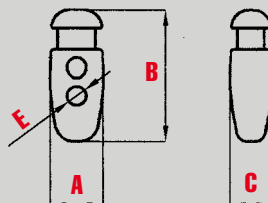
DOUBLE/SM **DOUBLE SM/P10**



MOD.	MAT.	COL.	A	B	C	D	E	F
DOUBLE/SM	N	Std.	20	17.5	7		Ø 3.5	
DOUBLE SM/P10	N	Std.	20	21.5	7	8	Ø 3.5	2

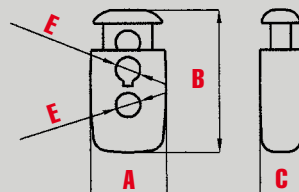
FERMACORDE A MOLLA
SPRING CORDLOCKS

DROP 2



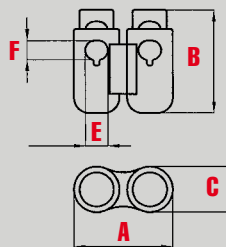
MOD.	MAT.	COL.	A	B	C	E
DROP 2	N	Std.	10	25	8	Ø 3.5

FV2



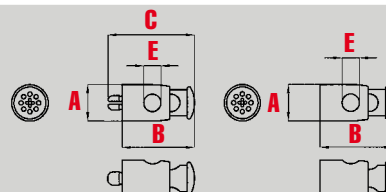
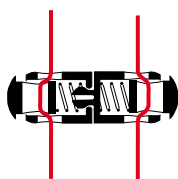
MOD.	MAT.	COL.	A	B	C	E
FV2	N	Std.	17	32	9.5	Ø 5.5

JP/2



MOD.	MAT.	COL.	A	B	C	E	F
JP/2	NIR	Std.	26	27	12	6	5

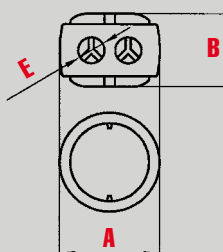
TWINS



MOD.	MAT.	COL.	A	B	C	E
TWINS	N	Std.	Ø 12.5	25	30	Ø 6

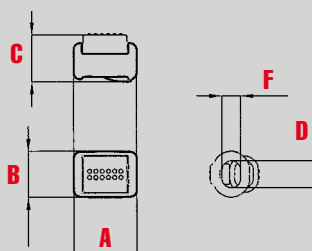
FERMACORDE A FRIZIONE
FRICTION CORDLOCKS

CIRCLE H2G



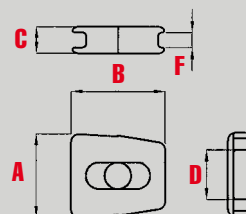
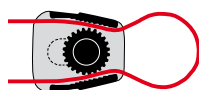
MOD.	MAT.	COL.	A	B	E
CIRCLE	N-E	Std.	Ø 19	14	Ø 5

TUBE 5



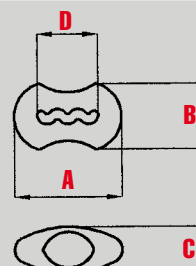
MOD.	MAT.	COL.	A	B	C	D	F
TUBE 5	A	Std.	15	11	11.5	6.5	4.5

BC4



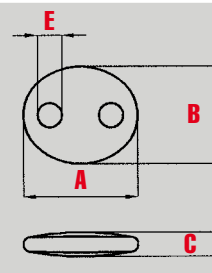
MOD.	MAT.	COL.	A	B	C	D	F
BC4	N	Std.	22	25	7	13	4

CROCK



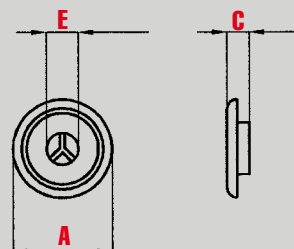
MOD.	MAT.	COL.	A	B	C	D
CROCK	E	Std.	21	13	9	12

GUMMY



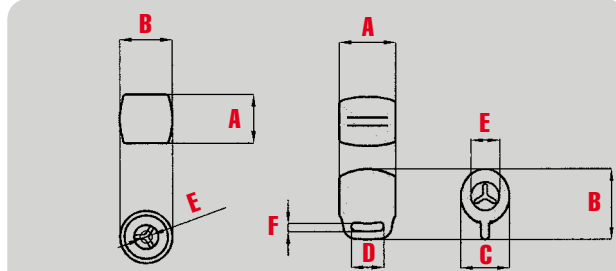
MOD.	MAT.	COL.	A	B	C	E
GUMMY	E	Std.	28	24	6	Ø 6

FO/20



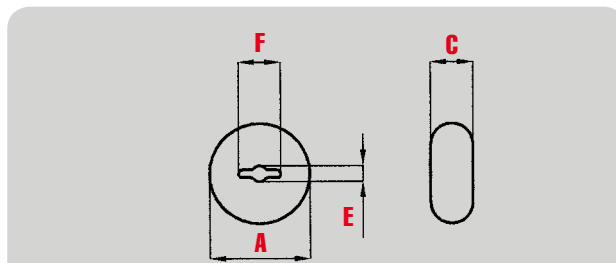
MOD.	MAT.	COL.	A	C	E
FO/20	E	Std.	Ø 20	4.5	Ø 6.5

FRIZZY **FRIZZY/P8**



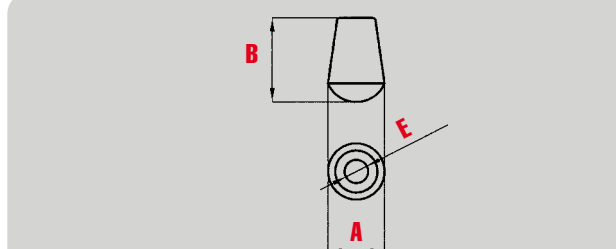
MOD.	MAT.	COL.	A	B	C	D	E	F
FRIZZY	E	Std.	Ø 13	12			Ø 3	
FRIZZY/P8	E	Std.	Ø 14	17.5	12	8	Ø 3	2

SLICK



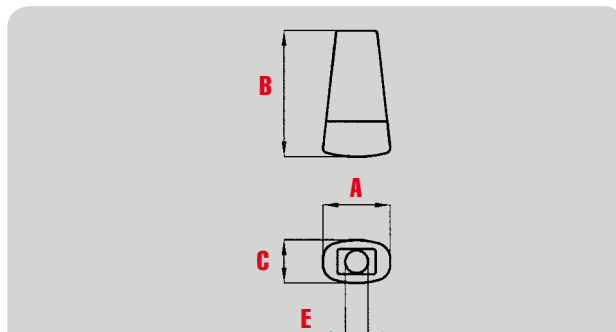
MOD.	MAT.	COL.	A	C	E	F
SLICK	E	Std.	Ø19	8	Ø 3	8

110/05



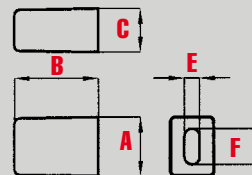
MOD.	MAT.	COL.	A	B	E
110/05	N	Std.	Ø 12	18	Ø 5

106/5



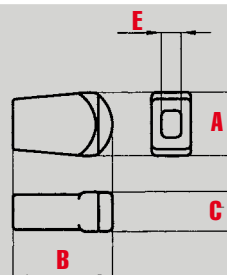
MOD.	MAT.	COL.	A	B	C	E
106/5	N	Std.	13	25	8.5	Ø 4.5

TSN



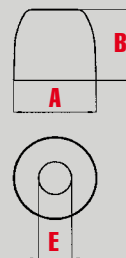
MOD.	MAT.	COL.	A	B	C	E	F
TSN	N	Std.	11.5	16.5	8.5	3	7

TSN/2



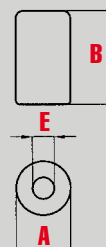
MOD.	MAT.	COL.	A	B	C	E
TSN/2	N	Std.	12.8	20.1	8	4

109



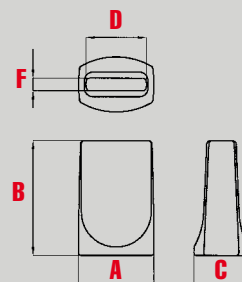
MOD.	MAT.	COL.	A	B	E
109 10	N	Std.	Ø 10	10	Ø 3.5
109 12	N	Std.	Ø 12	12	Ø 4.5
109 15	N	Std.	Ø 15	13	Ø 6

CC3



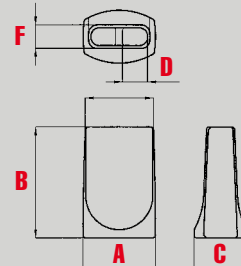
MOD.	MAT.	COL.	A	B	E
CC3	N	Std.	Ø 7.5	13	Ø 3

TF



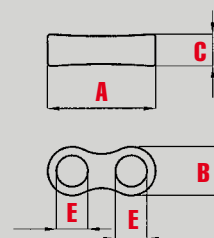
MOD.	MAT.	COL.	A	B	C	D	F
TF	N	Std.	13	20	9.5	10.5	2

TF2



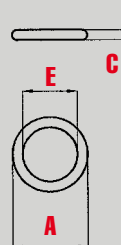
MOD.	MAT.	COL.	A	B	C	D	F
TF2	N	Std.	13	20	9.5	4.5	3

T2/4



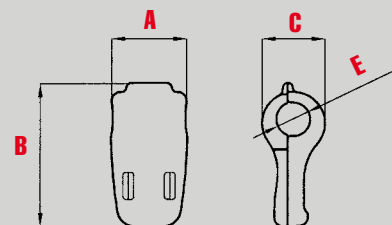
MOD.	MAT.	COL.	A	B	C	E
T2/4	N	Std.	13.5	6	4	Ø 4

OR/8



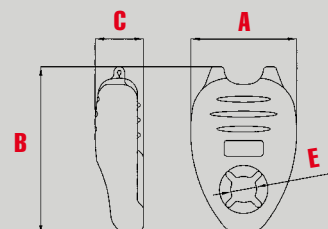
MOD.	MAT.	COL.	A	C	E
OR/8	A	B	Ø 11	1.5	Ø 8

PULL 3



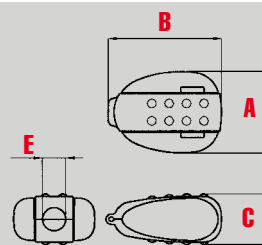
MOD.	MAT.	COL.	A	B	C	E
PULL 3	N	Std.	8.5	16	7	Ø 3.5

TB



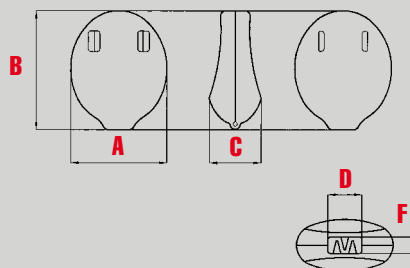
MOD.	MAT.	COL.	A	B	C	E
TB	N	Std.	17.5	28	8	Ø 4.5

MINIBALL



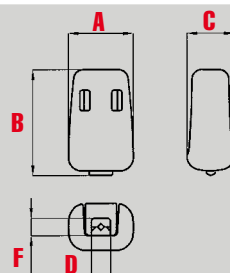
MOD.	MAT.	COL.	A	B	C	E
MINIBALL	N	Std.	14	19.5	8.5	Ø 4

ZIP



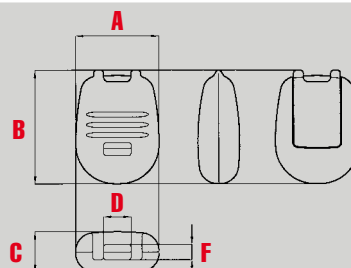
MOD.	MAT.	COL.	A	B	C	D	F
ZIP	N	Std.	18.5	23	10	6.5	3

TA2



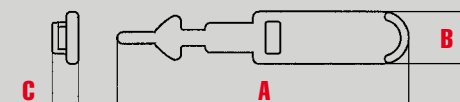
MOD.	MAT.	COL.	A	B	C	D	F
TA2	N	Std.	9.5	15.5	7	3	2.5

TA5



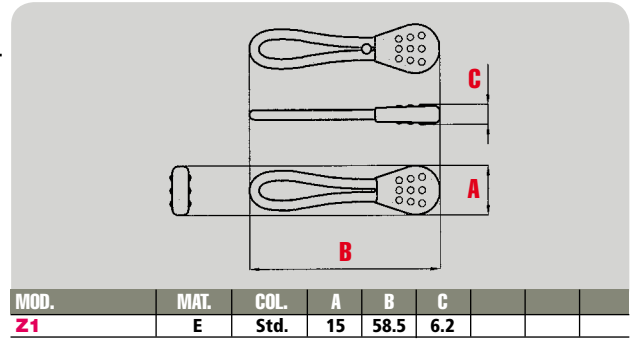
MOD.	MAT.	COL.	A	B	C	D	F
TA5	N	Std.	16	22	8	5.3	3

TL

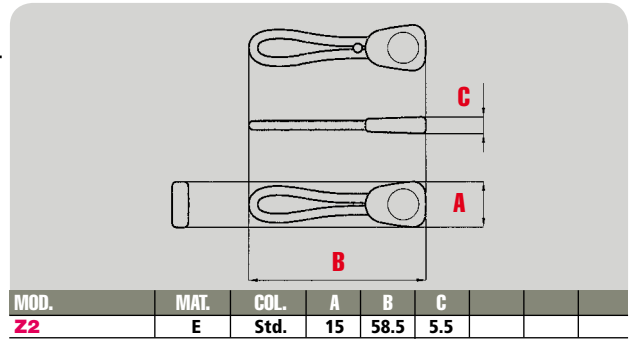


MOD.	MAT.	COL.	A	B	C
TL	E	Std.	74.5	13	6.5

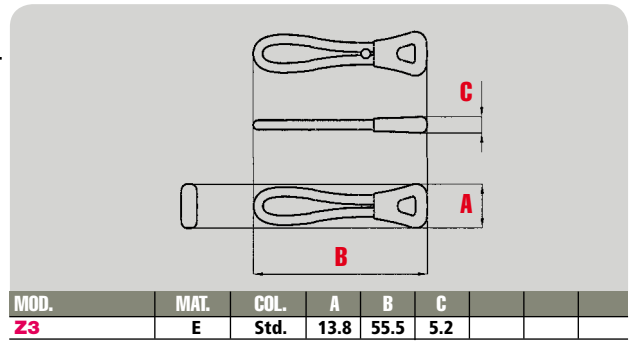
Z1



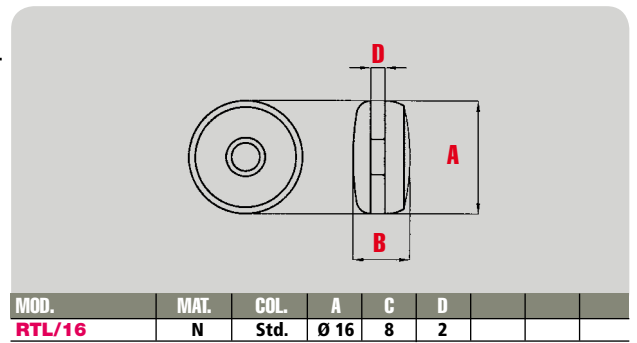
Z2



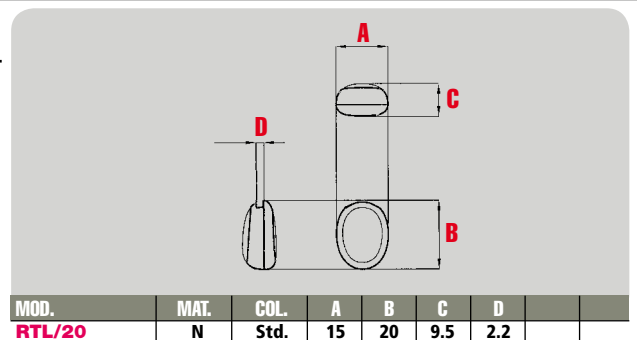
Z3



RTL/16



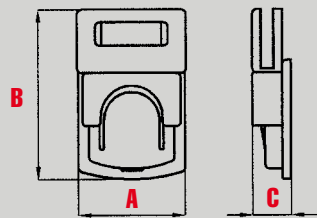
RTL/20





Accessori per cartotecnica
Stationery products

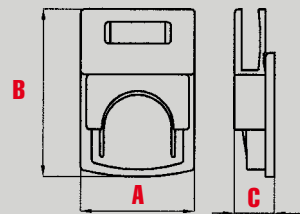
ATTAK/45



MOD.	MAT.	COL.	A	B	C			
ATTAK/45	N	Std.	25	40	9			

Applicazione con punzone (a richiesta)
Application by tool (at request)

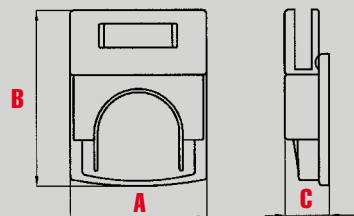
ATTAK/86



MOD.	MAT.	COL.	A	B	C			
ATTAK/86	N	Std.	31	46	11			

Applicazione con punzone (a richiesta)
Application by tool (at request)

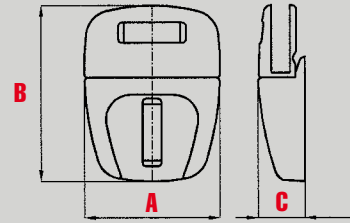
ATTAK/100



MOD.	MAT.	COL.	A	B	C			
ATTAK/100	N	Std.	40	51.5	13			

Applicazione con punzone (a richiesta)
Application by tool (at request)

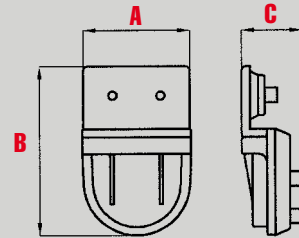
ATTAK/2000



MOD.	MAT.	COL.	A	B	C
ATTAK/2000	N	Std.	36.5	47.5	12.5

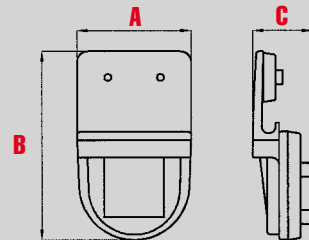
Applicazione con punzone (a richiesta)
Application by tool (at request)

TUKY



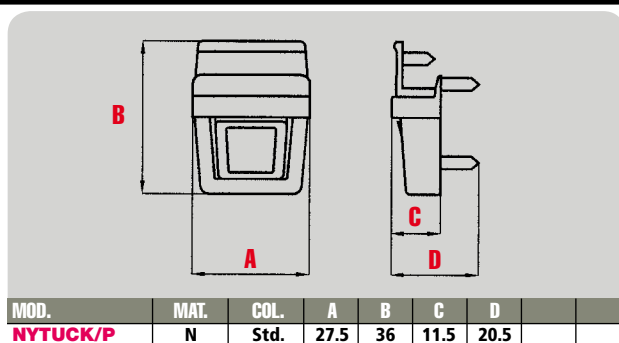
MOD.	MAT.	COL.	A	B	C
TUKY	A	Std.	25.5	40.5	14.5

TUKY/GR



MOD.	MAT.	COL.	A	B	C
TUKY/GR	A	Std.	32.5	54	17

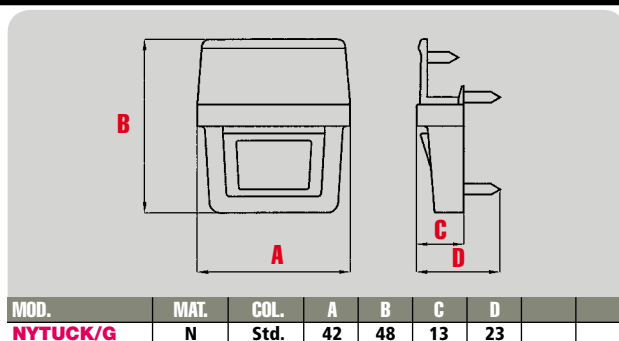
NYTUCK/P



MOD.	MAT.	COL.	A	B	C	D
NYTUCK/P	N	Std.	27.5	36	11.5	20.5

Applicazione con punzone (a richiesta)
Application by tool (at request)

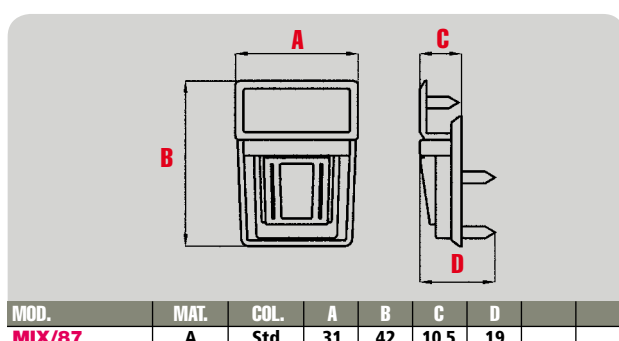
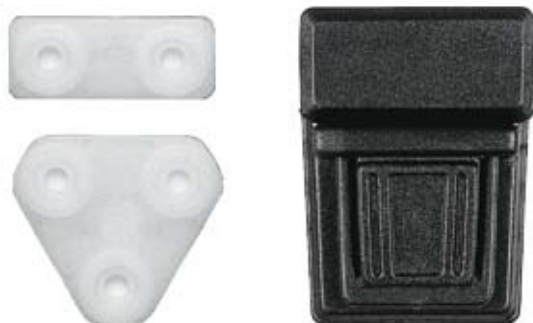
NYTUCK/G



MOD.	MAT.	COL.	A	B	C	D
NYTUCK/G	N	Std.	42	48	13	23

Applicazione con punzone (a richiesta)
Application by tool (at request)

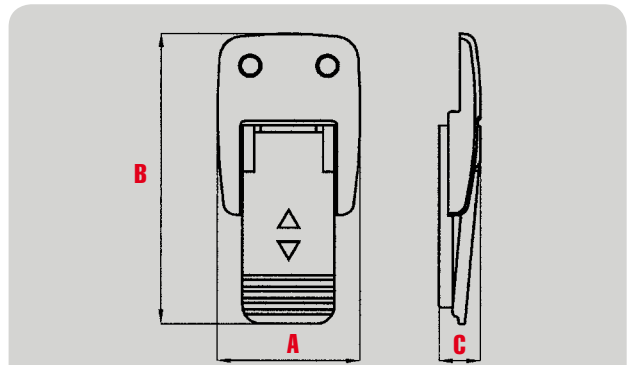
MIX/87



MOD.	MAT.	COL.	A	B	C	D
MIX/87	A	Std.	31	42	10.5	19

Applicazione con punzone (a richiesta)
Application by tool (at request)

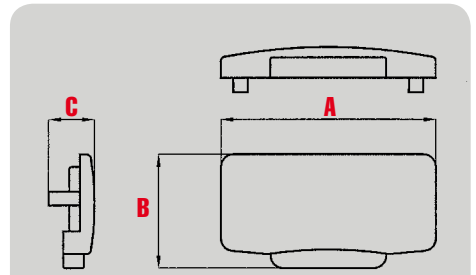
C4FN



MOD.	MAT.	COL.	A	B	C			
C4FN	A	Std.	31	63	9			

 — 1,2	 — 2,5	 — 3,5
--------------	--------------	--------------

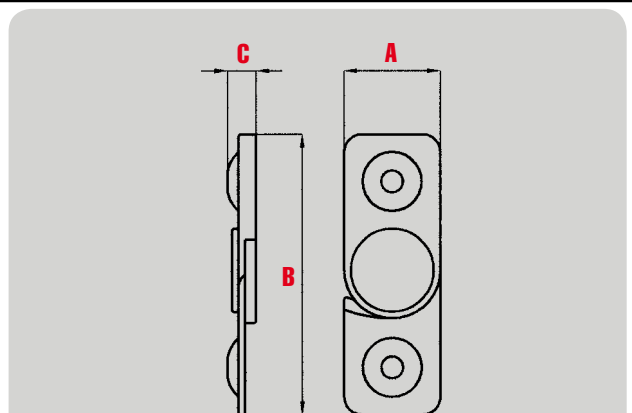
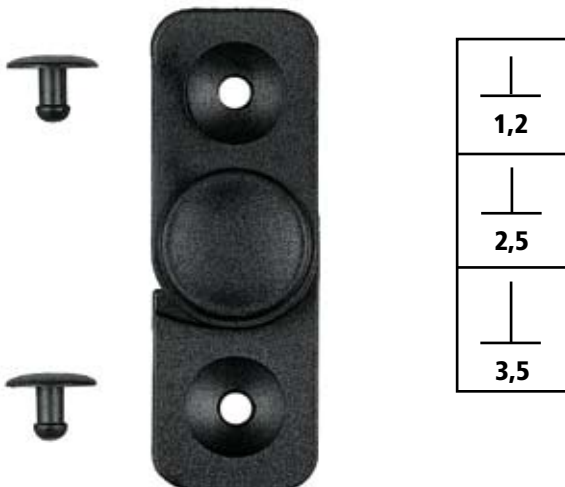
CBA



MOD.	MAT.	COL.	A	B	C
CBA	A	Std.	52	27,5	11

CBA 1 ≠ 1 ÷ 2,5
CBA 2 ≠ 2,5 ÷ 3,5

CLN



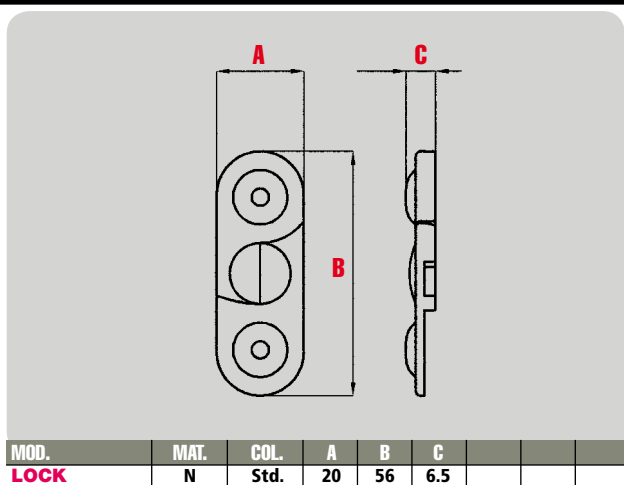
MOD.	MAT.	COL.	A	B	C			
CLN	N	Std.	22	64	6,5			

**CHIUSURE A ROTAZIONE
SWIVEL LOCKS**

LOCK

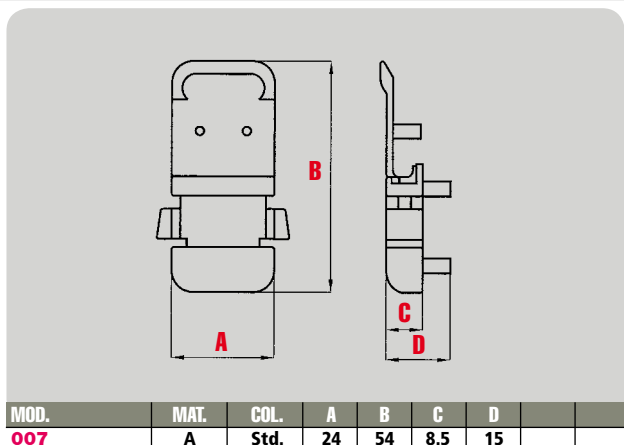


1,2
2,5
3,5



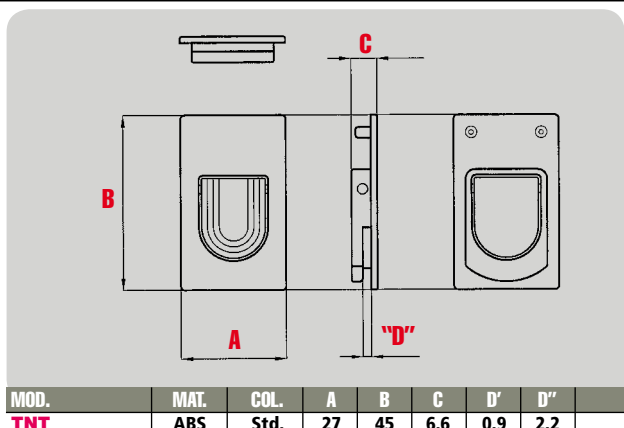
**CHIUSURA A SGANCIO LATERALE
SIDE RELEASE LOCK**

007

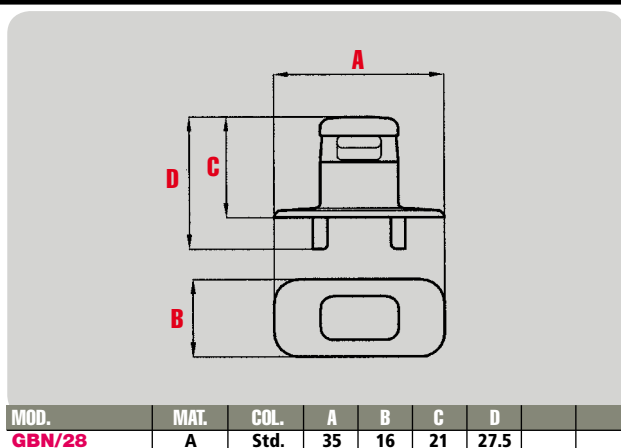


**TIRANTINO
PULLER**

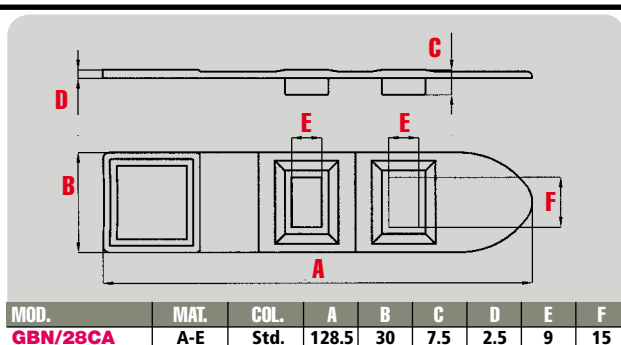
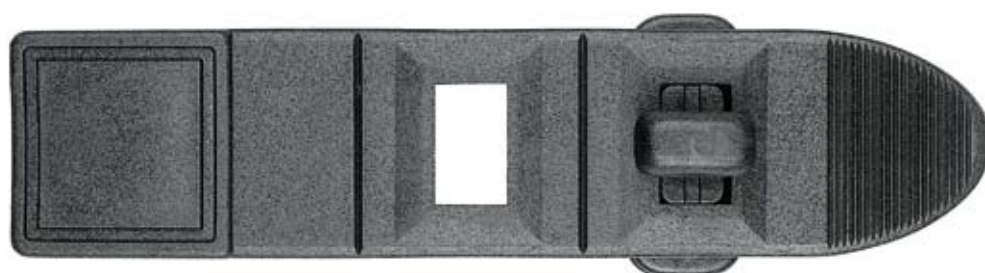
TNT



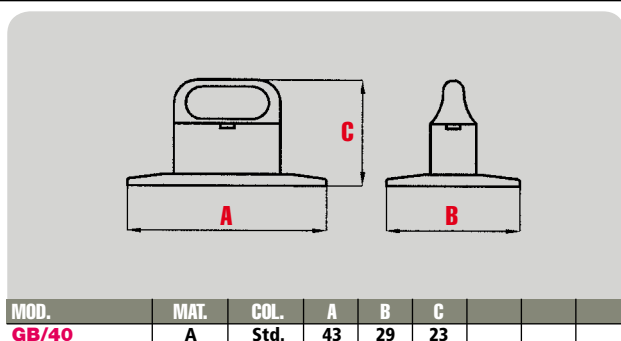
GBN/28



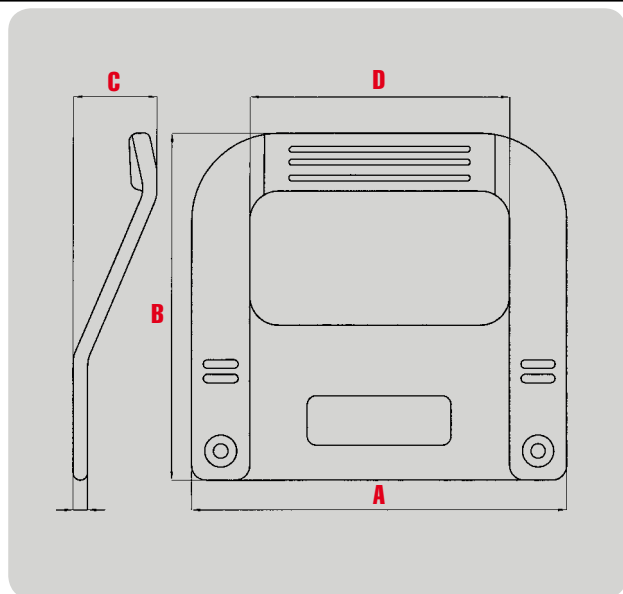
GBN/28CA



GB/40



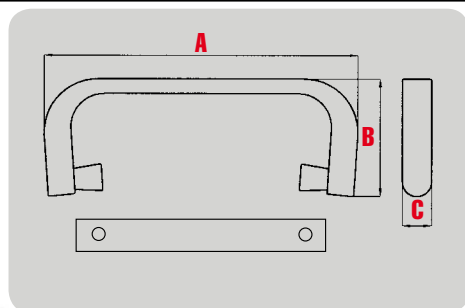
FLEX



MOD.	FLEX
MAT.	E
COL.	B
A	130
B	120
C	29
D	90

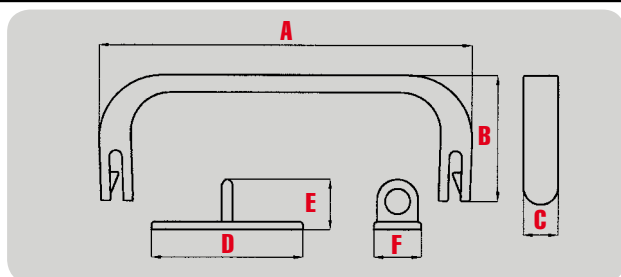


340/1



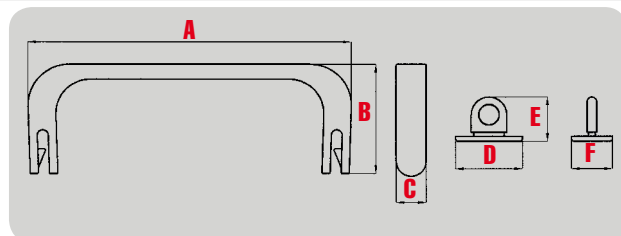
MOD.	340/1
MAT.	PP
COL.	Std.
A	117
B	44
C	11

340/2



MOD.	340/2
MAT.	PP
COL.	Std.
A	118
B	40
C	11
D	48
E	16
F	15

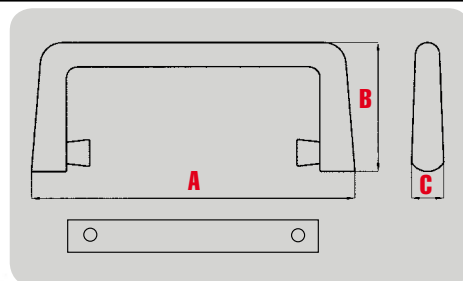
340/3



MOD.	340/3
MAT.	PP
COL.	Std.
A	118
B	40
C	11
D	24.5
E	16.5
F	15

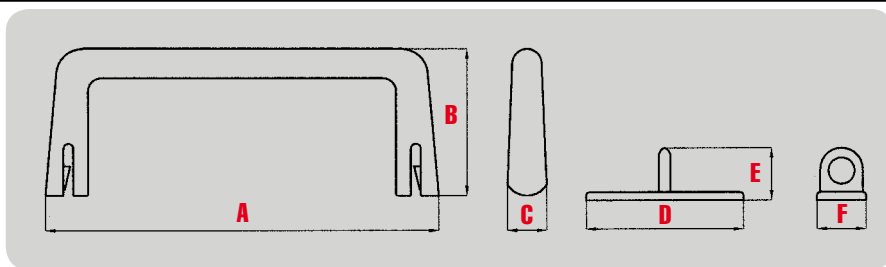
A richiesta attacco h 21.5 mm
At request handle plate h 21.5 mm

400/1



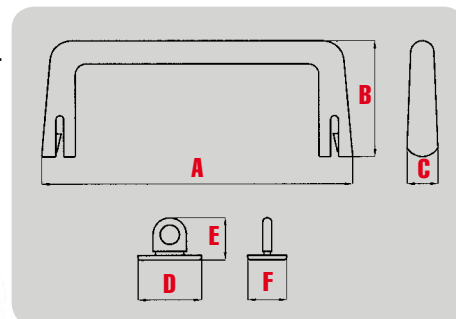
MOD.	400/1
MAT.	PP
COL.	Std.
A	120
B	48
C	12

400/2



MOD.	400/2
MAT.	PP
COL.	Std.
A	120
B	45
C	12
D	48
E	16
F	15

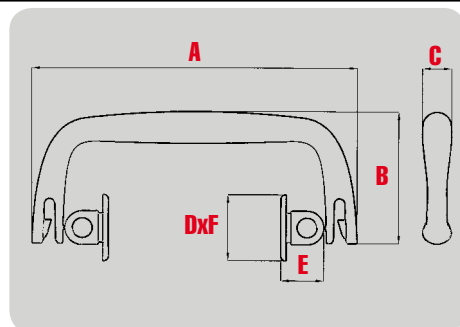
400/3



MOD.	400/3
MAT.	PP
COL.	Std.
A	120
B	45
C	12
D	24.5
E	16.5
F	15

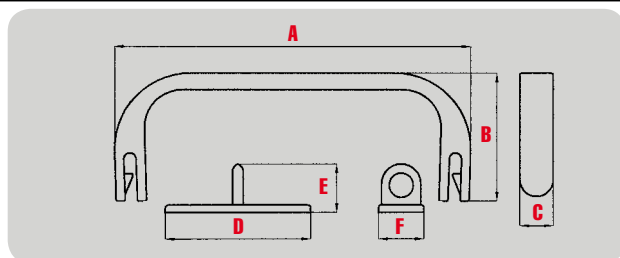
A richiesta attacco h 21.5 mm
At request handle plate h 21.5 mm

500/3



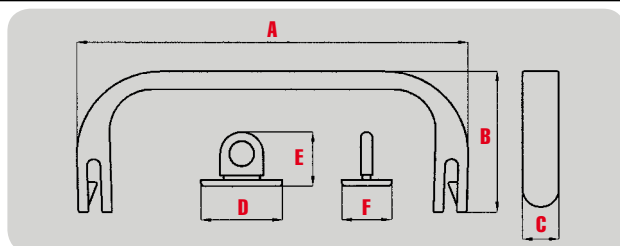
MOD.	500/3
MAT.	PP
COL.	Std.
A	122
B	49.5
C	11
D	25
E	16
F	15.5

600/2



MOD.	600/2
MAT.	PP
COL.	Std.
A	118
B	42.5
C	11
D	48
E	16
F	15

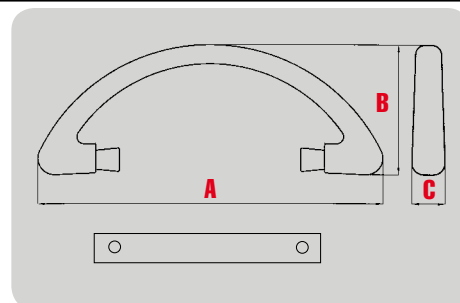
600/3



MOD.	600/3
MAT.	PP
COL.	Std.
A	118
B	42.5
C	11
D	24.5
E	16.5
F	15

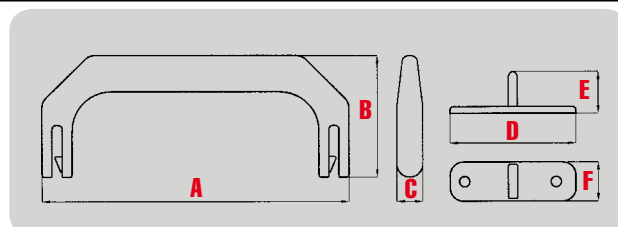
A richiesta attacco h 21.5 mm
At request handle plate h 21.5 mm

800/1



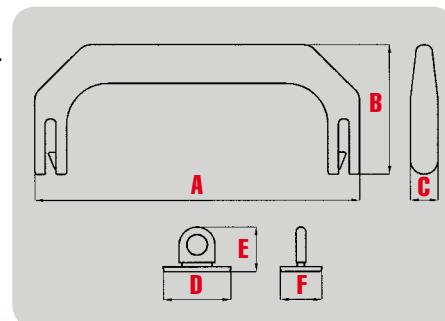
MOD.	800/1
MAT.	PP
COL.	Std.
A	145
B	54.5
C	14

070/2



MOD.	070/2
MAT.	PP
COL.	Std.
A	117.5
B	47
C	10
D	48
E	16
F	15

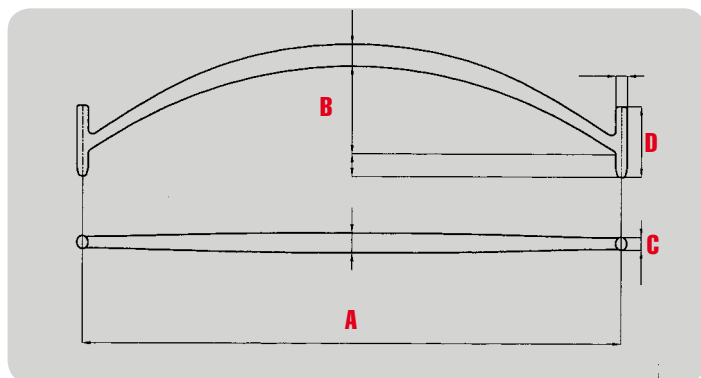
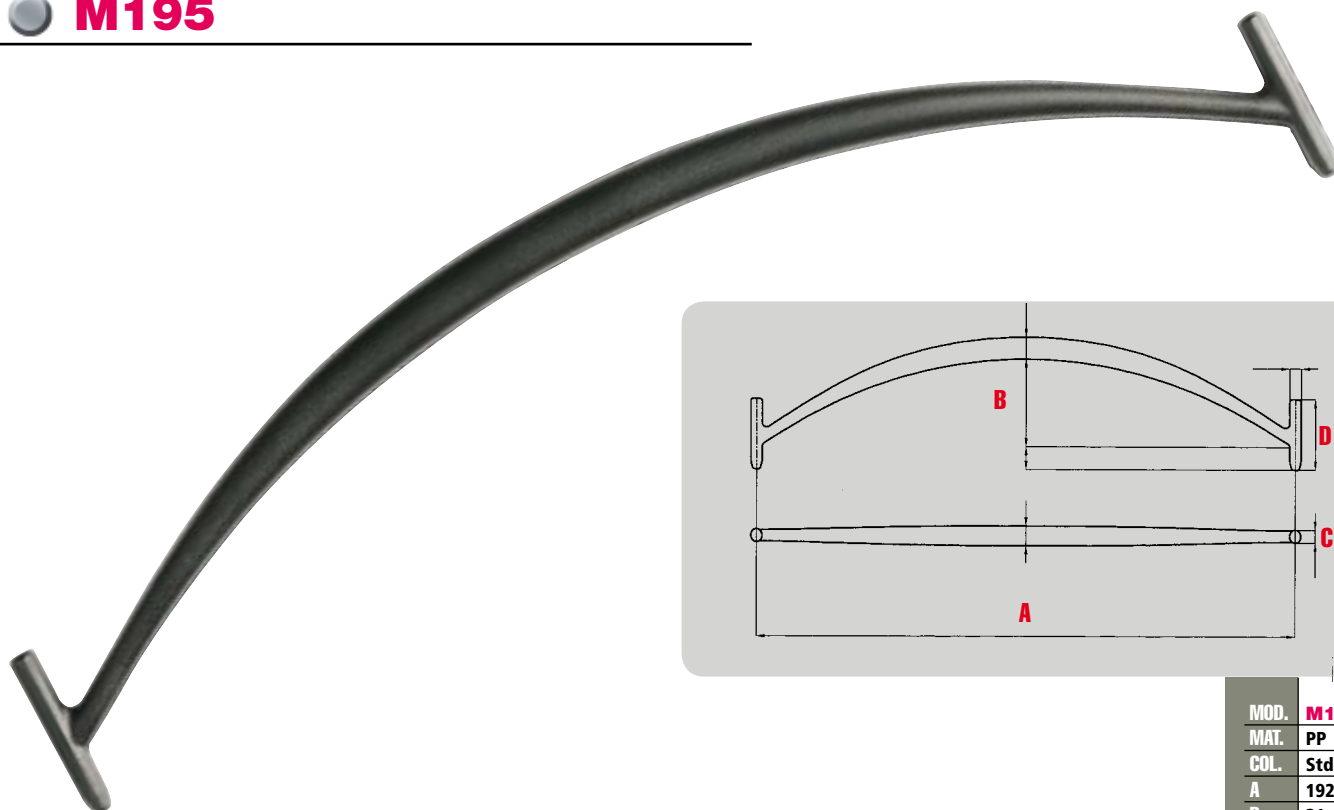
070/3



MOD.	070/3
MAT.	PP
COL.	Std.
A	117.5
B	47
C	10
D	24.5
E	16.5
F	15

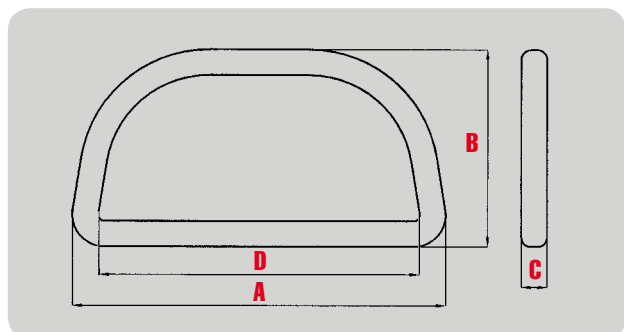
A richiesta attacco h 21.5 mm
At request handle plate h 21.5 mm

M195



MOD.	M195
MAT.	PP
COL.	Std.
A	192
B	31
C	4.6
D	25

M100

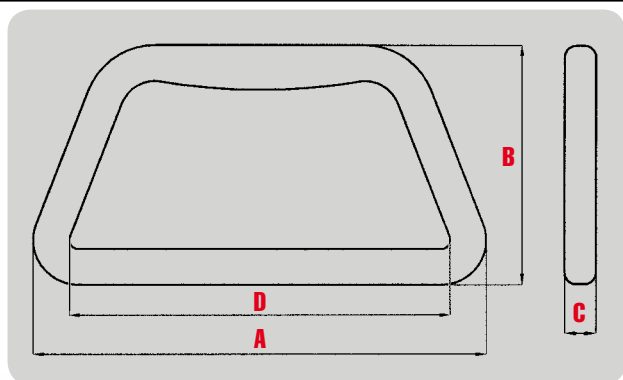


MOD.	M100
MAT.	PP
COL.	Std.
A	115.5
B	61.5
C	8
D	103

ABS galvanica (a richiesta)
ABS galvanic (at request)

**MANIGLIE RIGIDE
HANDLES**

M200

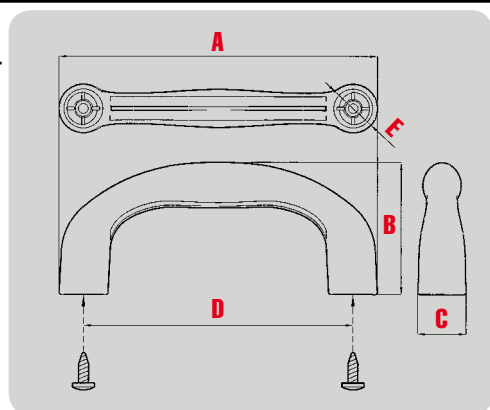


MOD.	M200
MAT.	PP
COL.	Std.
A	126
B	67
C	10
D	110

ABS galvanica (a richiesta)
ABS galvanic (at request)

**MANIGLIA FISSA
FIXED HANDLE**

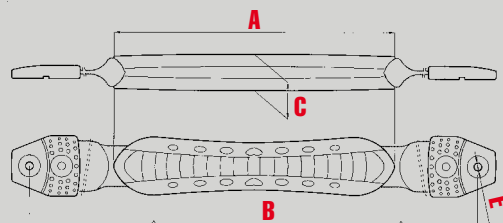
MF



MOD.	MF
MAT.	PP
COL.	B
A	130
B	54
C	20
D	110
E	Ø 20

MANIGLIE RIVETTABILI
THERMO PRESS HANDLES ATTACHABLE WITH RIVETS

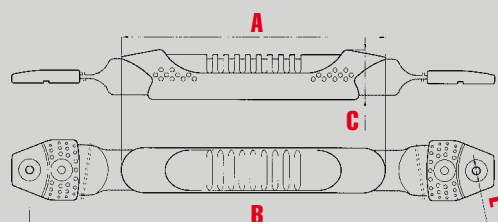
THR/2



MOD.	MAT.	COL.	A	B	C	E
THR/2	E	Std.	140	242	18	Ø3.9



THR/3

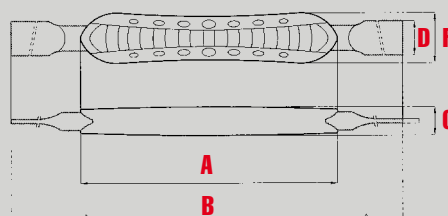


MOD.	MAT.	COL.	A	B	C	E
THR/3	E	Std.	132	252	24.8	Ø3.9



MANIGLIE IMBOTTITE
THERMO PRESS PADDED HANDLES

TH/8

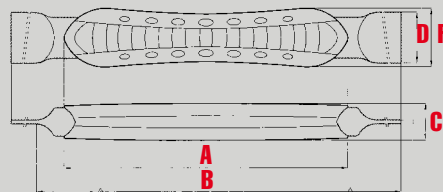


MOD.	MAT.	COL.	A	B	C	D	F
TH/8	E	Std.	113	300	12.5	15	22



**MANIGLIE IMBOTTITE
THERMO PRESS PADDED HANDLES**

TH/9

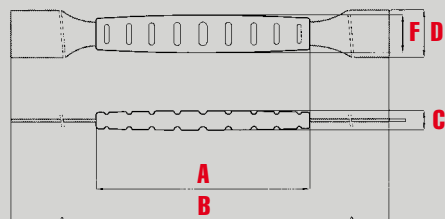


MOD.	MAT.	COL.	A	B	C	D	F
TH/9	E	Std.	140	300	18	25	28.8



**MANIGLIE PIATTE
THERMO PRESS FLAT HANDLES**

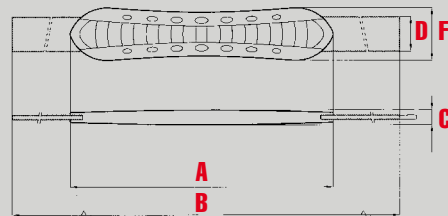
TH/4



MOD.	MAT.	COL.	A	B	C	D	F
TH/4	E	Std.	91	300	8.2	10	16



TH/6

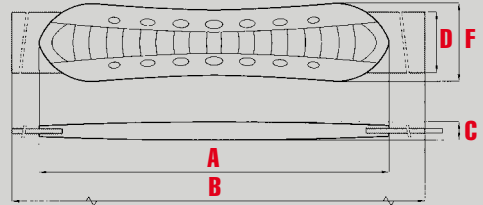


MOD.	MAT.	COL.	A	B	C	D	F
TH/6	E	Std.	116	300	6.5	15	23



MANIGLIE PIATTE
THERMO PRESS FLAT HANDLES

TH/7

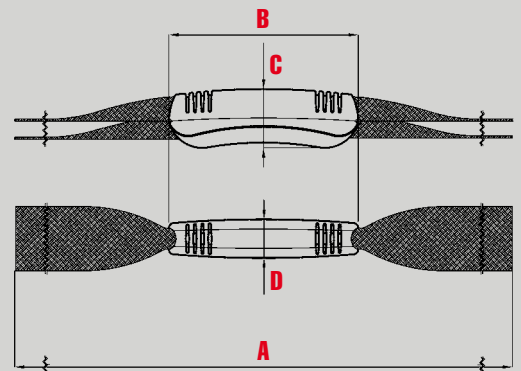


MOD.	MAT.	COL.	A	B	C	D	F
TH/7	E	Std.	145	300	7.5	25	32.3



MANIGLIA AD INCASTRO
THERMO PRESS FIXED HANDLES

TH/10



MOD.	MAT.	COL.	A	B	C	D
TH/10	E	Std.	1150	118	36.5	24



FIBBIE • BUCKLES



3

FIBBIE INFANZIA • NURSERY BUCKLES



20

ACCESSORI MILITARI • MILITARY COMPONENTS



24

MOSCHETTONI • HOOKS
COMPONENTI • COMPONENTS



32

FERMACORDA • CORDLOCK
TERMINALI • CORD ENDS



40

ACCESSORI PER CARTOTECNICA • STATIONERY PRODUCTS



53

BOTTONI E RIVETTI • SNAPS AND RIVETS



70

ACCESSORI • ACCESSORIES



76

MATERIALI/COLORI • MATERIALS/COLOURS



2

SPECIFICA MATERIALI • MATERIALS SPECIFICATION



91

TABELLA COMPARATIVA MATERIALI 2M
2M MATERIALS COMPARATIVE PROPERTY TABLE



92

4	Fibbie a sgancio laterale	Side release buckles
6	Fibbie a sgancio centrale	Central release buckles
8	Fibbie di sicurezza	Safety buckles
10	Fibbie rotanti	Swivel buckles
11	Fibbie con snodo	Suspender buckles
12	Fibbie leggere	Light buckles
13	Fibbie a sportello	Cam buckles
13	Fibbie a sportello piatte	Low profile cam buckles
13	Fibbia antisoffocamento	Anti-choking buckle
13	Fibbia portacellulare	Lanyard cellular phone
14	Attacco porta badge con moschettone rotante	Lanyard badge holder with swivel hook
14	Fibbie a tre luci	Ladderlocks
15	Scorrevoli	Sliders
17	Scorrevole + passante	Strap adjuster sliders
17	Tiranastri	Strap pullers
19	Articoli di ricambio	Splitloop side release buckles and ladderlock

21	Fibbie a 4 vie	4 way buckles
21	Passante	Loop
22	Fibbie a 3 vie	3 way buckles
22	Fibbie a 5 vie	5 way buckles

24	Accessori militari	Military components
----	--------------------	---------------------

33	Moschettoni semplici	Snaphooks
34	Moschettoni rotanti	Swivel hooks
35	Moschettoni per guanti	Glove-hooks
36	Triangoli	Triangles
36	Semianelli	D rings
37	Anelli rettangolari	Square loops
37	Anelli tondi	Rings
37	Attacchi laterali	Retainers
38	Riduttori	Reducers
38	Separatori	Dividers
39	Set caschi	Helmet components

41	Fermacorde a molla	Spring cordlocks
46	Fermacorde a frizione	Friction cordlocks
48	Terminali per cordini	Cord ends

54	Chiusure a sgancio frontale	Frontal release locks
57	Chiusure a battente	Cam locks
57	Chiusure a rotazione	Swivel locks
58	Chiusura a sgancio laterale	Side release lock
58	Tirantino	Puller
59	Girelli	Twist locks
60	Maniglia flessibile	Flexible handle
61	Maniglie rigide	Handles
66	Maniglia fissa	Fixed handle
67	Maniglie rivettabili	Thermo press handles attachable with rivets
67	Maniglie imbottite	Thermo press padded handles
68	Maniglie piatte	Thermo press flat handles
69	Maniglia ad incastro	Thermo press fixed handles

71	Bottoni automatici	Snap fasteners
72	Bottoni per fettuccia	Buttons on ribbon
73	Rivetto sigillo	Safety rivet
73	Rivetti manuali	Manual rivets
75	Rivetto auto-perforante	Self-piercing rivet
75	Rivetti automatici	Automatic rivets

77	Areatori	Breathers
77	Occhielli	Eyelets
78	Chiudi tasca	Pocket lock
79	Passanti	Loops
79	Passanti aperti	Quick slip keepers
79	Puntali	Belt ends
80	Puntali tondi	Round belt ends
81	Puntali per sandali	Elastomer tip ends
81	Accessori scarpe	Shoes accessories
83	Regolatore	Adjuster
83	Spallacci	Shoulder pads
86	Copri maniglie	Handle grips
87	Piedini	Base studs
87	Porta cartellini	ID Tag holders
90	Accessori	Accessories

I prodotti illustrati nel presente catalogo sono coperti da uno o più brevetti, sia a livello di invenzione industriale che come modelli ornamentali.

A difesa delle contraffazioni i nostri particolari sono individuabili tramite il marchio 2M riportato su ogni articolo.

I dati tecnici riportati sul presente catalogo sono da considerarsi indicativi e non vincolanti.

La 2M non si assume, quindi, alcuna responsabilità per quanto concerne i danni causati dall'abuso o uso improprio delle caratteristiche dei prodotti e si riserva la possibilità di apportare variazioni in qualsiasi momento, senza preavviso.

The products showed in this catalogue are protected by one or more patents both as industrial and as ornamental models.

As protection against falsification, our articles can be identified by means of the trademark 2M inscribed on every product.

The technical data indicated in this catalogue are indicative and unlimited.

2M therefore will not assume any liability for damages caused by the abuse or the improper use of the characteristics of its products and reserve the right to itself to make modification at any time without notice.










Test sostanze nocive
Schadstoffgeprüfte Textilien
Tested for harmful substances
Contrôle de substances indésirables
secondo/nach/according to/d'après
Oeko-Tex Standard 100
 RdP n.992476.O CENTROCOT Busto Arsizio



Materiali Materials

N	Nylon	Nylon
NIR	Nylon 66 ad alta tenacità	Nylon 66 impact resistant
A	Acetalica	Acetal
E	Gomma Termoplastica	Thermoplastic Rubber
PP	Polipropilene	Polypropylene
PBT	Poliestere	Polyester

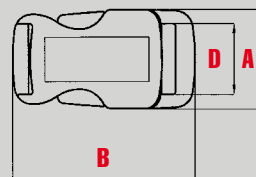
Colori Colours

	Nero 20	Black 20
	Bianco 23	White 23
	Rosso 24	Red 24
	Giallo 26	Yellow 26
	Royal 30	Royal 30
	Verde 3636	Green 3636
	Blu 28	Blue 28
	Verde Nato 36ME I.R.	Nato Green 36ME I.R.
	Sabbia Beige 47ME I.R.	Sand Beige 47ME I.R.
	Marrone Sabbia 4715 I.R.	Sand Brown 4715 I.R.



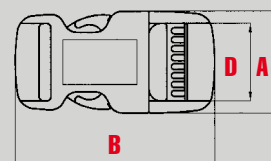
***Fibbie
Buckles***

NB



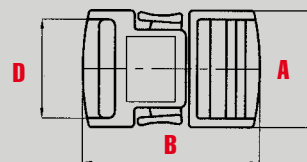
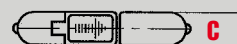
MOD.	MAT.	COL.	A	B	C	D
NB 20	N-A	Std.	30.3	52	10.5	21
NB 25	N-A	Std.	37	67.5	13.5	26
NB 30	N-A	Std.	43	72	14	31
NB 40	N-A	Std.	54	79.5	15.5	41

795



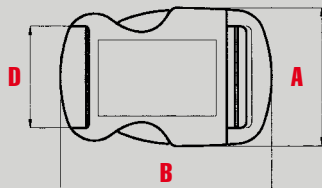
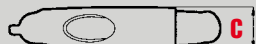
MOD.	MAT.	COL.	A	B	C	D
795 16	N-A-NIR	Std.	22	45	8	17
795 20	N-A-NIR	Std.	27.5	55.5	10	21
795 25	N-A-NIR	Std.	34	67	12.5	26
795 30	N-A-NIR	Std.	38.3	68	13	31
795 40	N-A-NIR	Std.	48	76	15.5	41
795 50	N-A-NIR	Std.	59	81	17.5	51

HTP



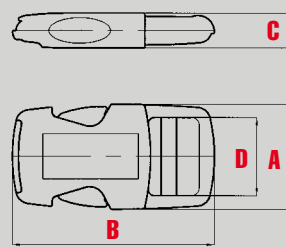
MOD.	MAT.	COL.	A	B	C	D
HTP 30	N	Std.	36	55	10	30.5
HTP 40	N	Std.	46	68.5	11.5	40.5

FGP



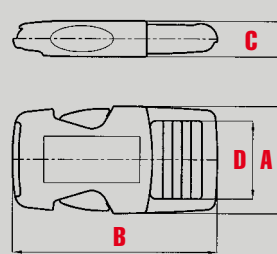
MOD.	MAT.	COL.	A	B	C	D
FGP 35	N	Std.	49	75	15	36

SSL



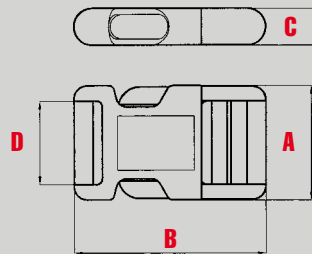
MOD.	MAT.	COL.	A	B	C	D		
SSL 20	N-A-NIR	Std.	29.3	55	9.5	21		
SSL 25	N-A-NIR	Std.	34.5	66.5	11	25.5		
SSL 30	N-A-NIR	Std.	41.5	74	13	31		
SSL 40	N-A-NIR	Std.	52.5	81.5	14	41		

SSL/3B



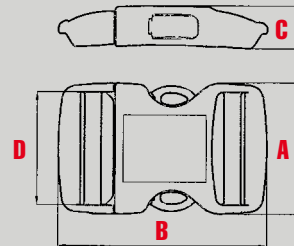
MOD.	MAT.	COL.	A	B	C	D		
SSL 3B 25	A	Std.	33.5	66	11	25.2		

900



MOD.	MAT.	COL.	A	B	C	D		
900 30	N	Std.	42.5	71.5	13.5	31		
900 40	N	Std.	54	78	17.5	40.5		
900 50	N	Std.	64	81	17.5	50.5		

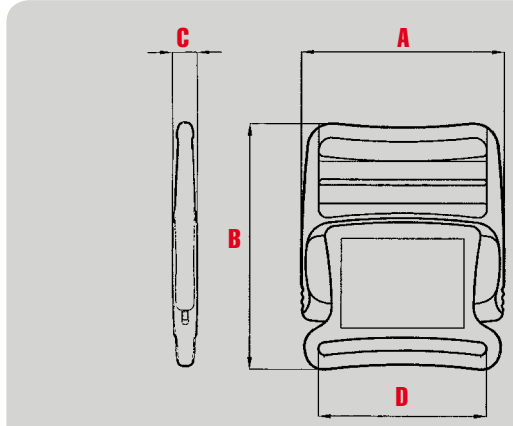
FDR



MOD.	MAT.	COL.	A	B	C	D		
FDR 40	A-N	Std.	47	75.5	15.4	40.5		

**FIBBIE A SGANCIO LATERALE
SIDE RELEASE BUCKLES**

BLS

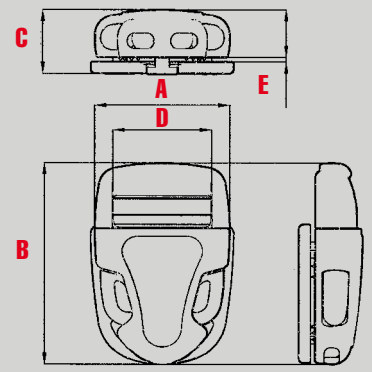


MOD.	MAT.	COL.	A	B	C	D
BLS 40	NIR	Std.	49.5	60	6	41

PCB



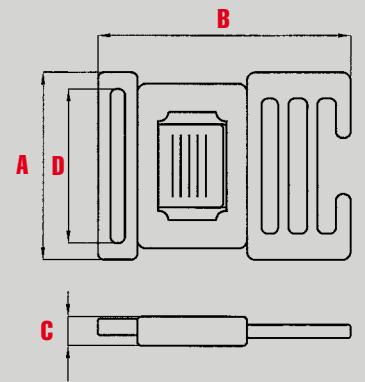
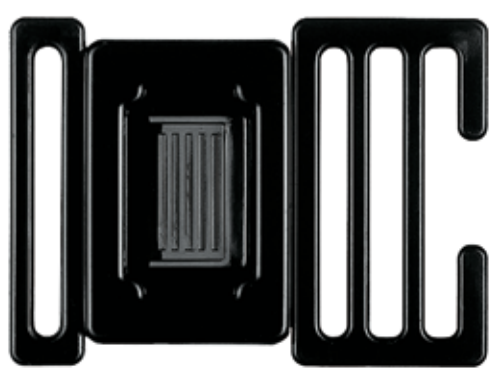
Fustella a richiesta
Punch at request



MOD.	MAT.	COL.	A	B	C	D	E
PCB 25	A	Std.	35	52.5	16.5	25.6	1.2
PCB 40	A	Std.	50	58.5	18	40.5	1.2

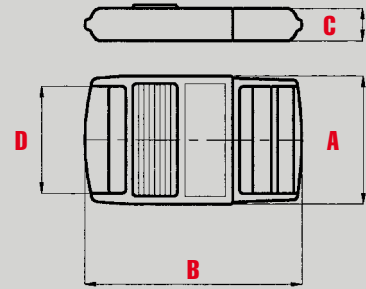
**FIBBIE A SGANCIO CENTRALE
CENTRAL RELEASE BUCKLES**

FG



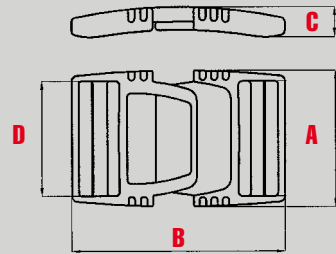
MOD.	MAT.	COL.	A	B	C	D
FG 25	N	B-W	32	44	6.5	26
FG 35	N	B-W	45	61	7	37

AUT



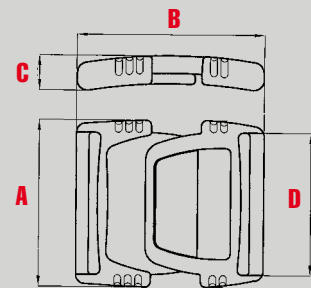
MOD.	MAT.	COL.	A	B	C	D
AUT 20	A	B - W	26.5	55	8.5	20
AUT 30	A	B - W	36	61	10	30

BTS



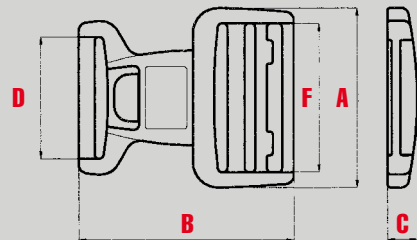
MOD.	MAT.	COL.	A	B	C	D
BTS 40	A	B	48	75	10.5	40.5

BT



MOD.	MAT.	COL.	A	B	C	D
BT 40	A	B	48	54	10	41

SLP

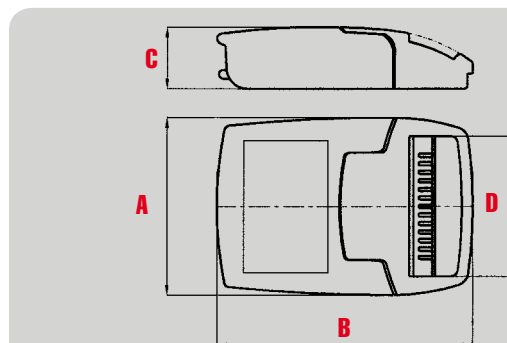


MOD.	MAT.	COL.	A	B	C	D	F
SLP 35	A-NIR	Std.	46.5	72	10	35	35
SLP 40	A-NIR	Std.	53.5	72.5	10	41	41
SLP 50M/40	A-NIR	Std.	60	72.5	10	41	50

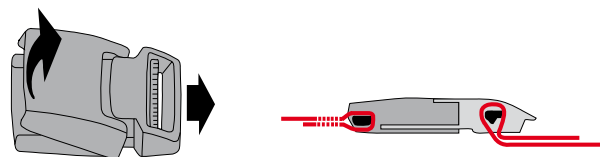


**FIBBIE A SGANCIO CENTRALE
CENTRAL RELEASE BUCKLES**

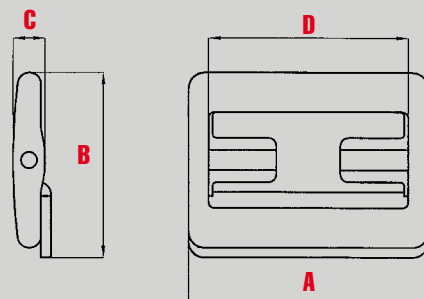
FLY



MOD.	MAT.	COL.	A	B	C	D
FLY 40	N	Std.	52	76	18	41



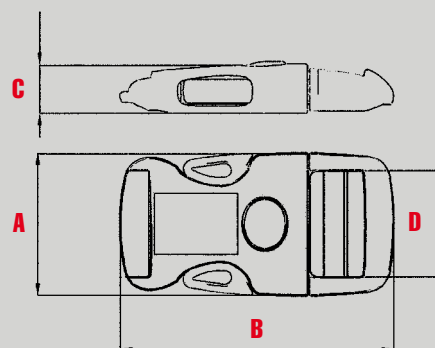
DSM



MOD.	MAT.	COL.	A	B	C	D
DSM 50	NIR	B	60	46.5	8	50

**FIBBIE DI SICUREZZA
SAFETY BUCKLES**

FBP



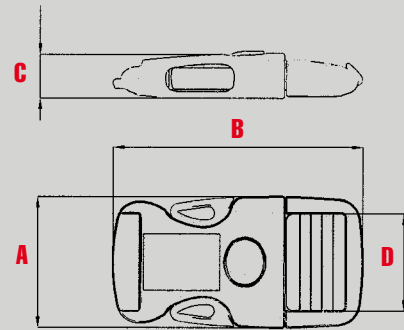
MOD.	MAT.	COL.	A	B	C	D
FBP 25	A	Std.	35	66	11.5	25.5

A richiesta pulsante rosso
At request red button

FBP 3B

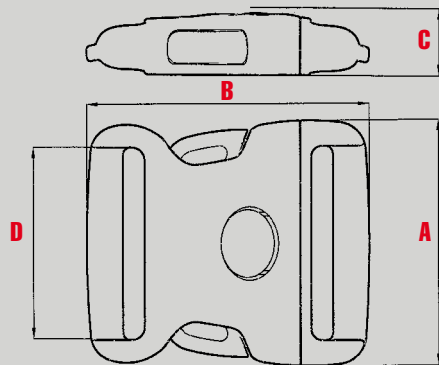


A richiesta pulsante rosso
At request red button



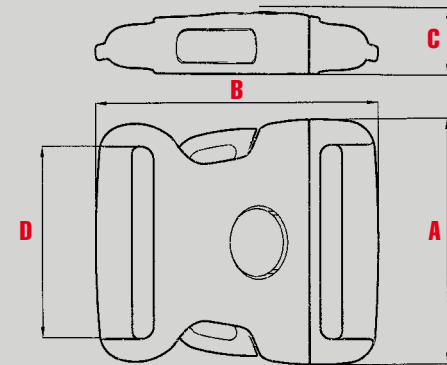
MOD.	MAT.	COL.	A	B	C	D
FBP 25 3B	A	Std.	35	66.5	11.5	25.5

FPS/50



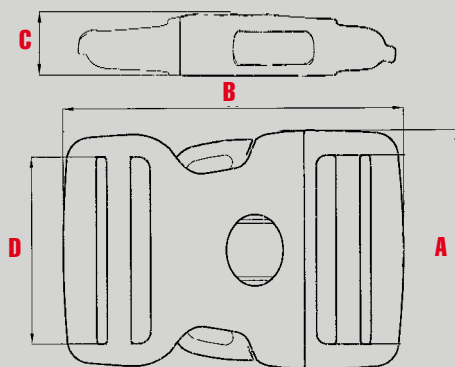
MOD.	MAT.	COL.	A	B	C	D
FPS 50	A-NIR	B	67	78	18.4	52.5

FPS/55



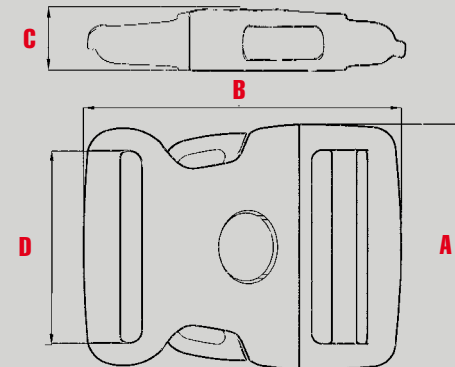
MOD.	MAT.	COL.	A	B	C	D
FPS 55	A-NIR	B	67	78	18.4	57

FPS DR 50



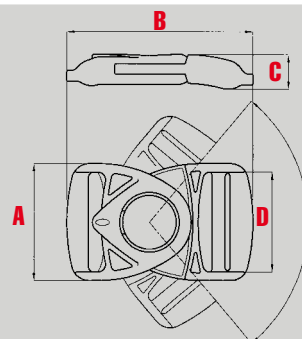
MOD.	MAT.	COL.	A	B	C	D
FPS DR 50	A-NIR	B	67	96	16.6	52.5

FPS MR 50



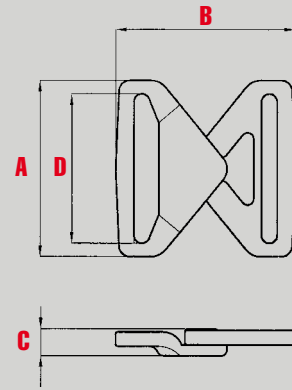
MOD.	MAT.	COL.	A	B	C	D
FPS MR 50	A-NIR	B	67	87	18.4	52.5

SWB



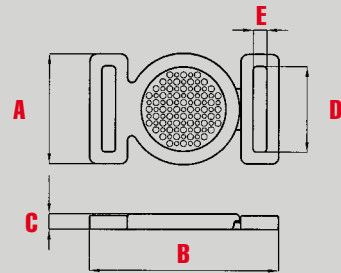
MOD.	MAT.	COL.	A	B	C	D
SWB 25	A	B	33.5	60	13	26.4
SWB 40	A	B	46.3	73.3	13.7	40

BS



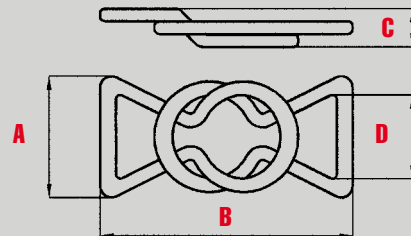
MOD.	MAT.	COL.	A	B	C	D
BS 40	N	B	47.8	49.4	7.4	40.5

FLD



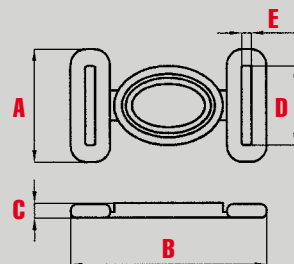
MOD.	MAT.	COL.	A	B	C	D	E
FLD 25	N	B-W	32	55	4.5	25	4

NS 20



MOD.	MAT.	COL.	A	B	C	D
NS 20	N	B-W	27	56	8.5	20

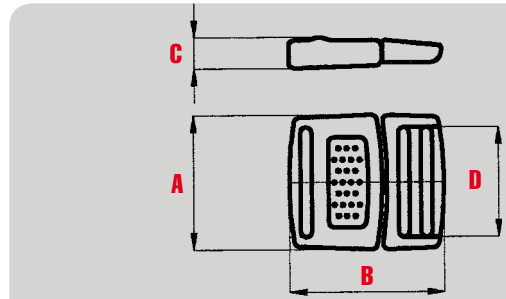
NS 0



MOD.	MAT.	COL.	A	B	C	D	E
NS 0	N	B-W	28.5	49.5	4	20	2.5

**FIBBIE LEGGERE
LIGHT BUCKLES**

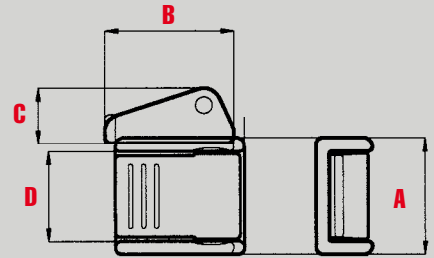
FP



MOD.	MAT.	COL.	A	B	C	D
FP 20	A	B-W	24	27.5	5.5	20

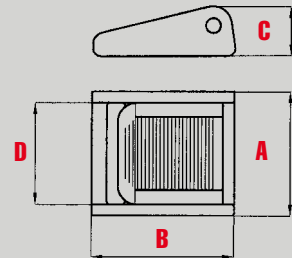
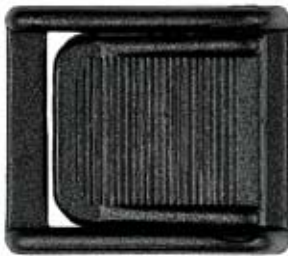
**FIBBIE A SPORTELLO
CAM BUCKLES**

E



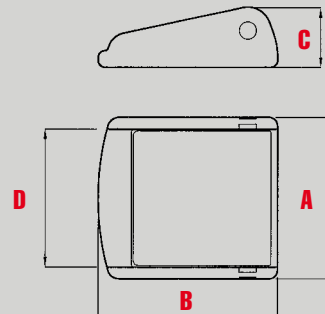
MOD.	MAT.	COL.	A	B	C	D
E 16	A-NIR	B	21	29.4	13	16
E 20	A-NIR	B	27	30	13	21

FA



MOD.	MAT.	COL.	A	B	C	D
FA 20	N	Std.	27	36	12	21
FA 25	N	Std.	33	38	13	26
FA 30	N	Std.	37.5	40	13	30.5

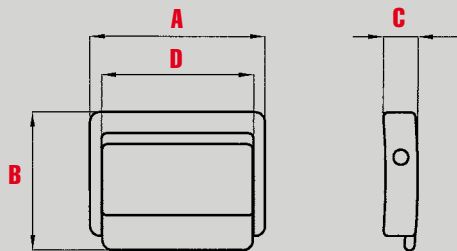
FAN



MOD.	MAT.	COL.	A	B	C	D
FAN 40	N	B-W	48	54	18	41

FIBBIE A SPORTELLO PIATTE
LOW PROFILE CAM BUCKLES

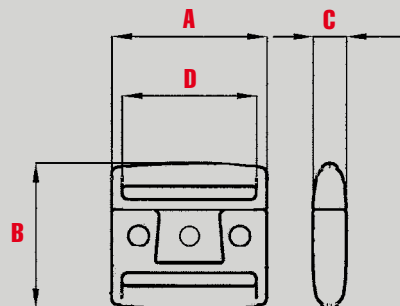
FC



MOD.	MAT.	COL.	A	B	C	D		
FC 20	A	B-W	23.3	22.8	5.3	20.2		
FC 25	A	B-W	28.3	22.8	5.4	25.2		
FC 30	A	B-W	35.1	27.7	7	30.5		

FIBBIA ANTISOFFOCAMENTO
ANTI-CHOKING BUCKLE

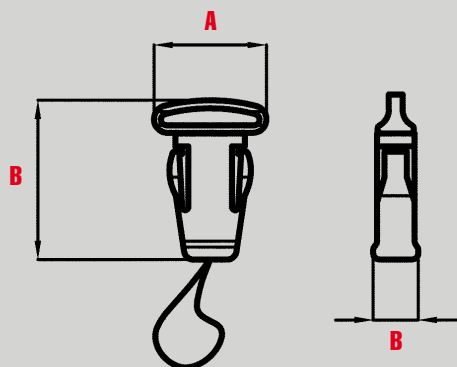
FAS/10 - 15 - 20



MOD.	MAT.	COL.	A	B	C	D		
FAS 10	N	B	14	17.8	3.5	10.4		
FAS 15	N	B	18.4	24	5	15.4		
FAS 20	N	B	23.6	22	5	20.5		

FIBBIA PORTACELLULARE
LANYARD CELLULAR PHONE

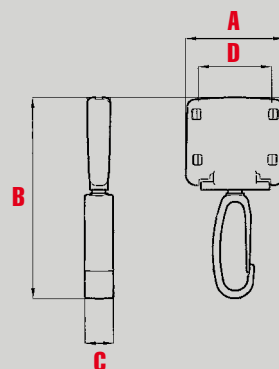
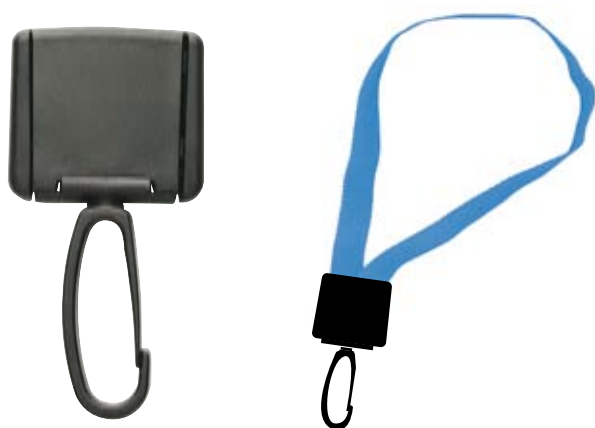
LCP/10 - 15 - 20



MOD.	MAT.	COL.	A	B	C			
LCP 10	N	B	13	26.3	7.2			
LCP 15	N	B	18	25.5	7.2			
LCP 20	N	B	23.8	25.5	7.2			

**ATTACCO PORTA BADGE CON MOSCHETTONE ROTANTE
LANYARD BADGE HOLDER WITH SWIVEL HOOK**

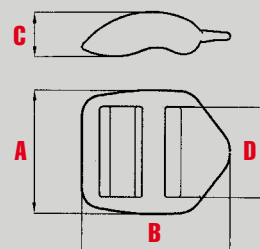
APB



MOD.	MAT.	COL.	A	B	C	D
APB 20	N	Std.	26	52	6	20

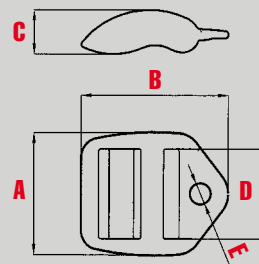
**FIBBIE A TRE LUCI
LADDERLOCKS**

LS



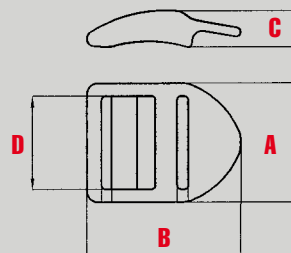
MOD.	MAT.	COL.	A	B	C	D
LS 25	A-N-NIR	Std.	34.5	42	12	25.5

LS CF/6



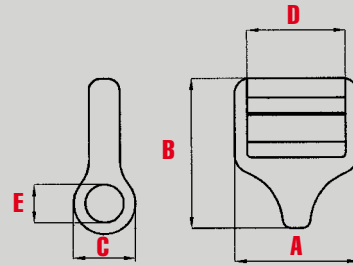
MOD.	MAT.	COL.	A	B	C	D	E
LS CF/6	A-N-NIR	Std.	34.5	42	12	25.5	Ø 6

ASP



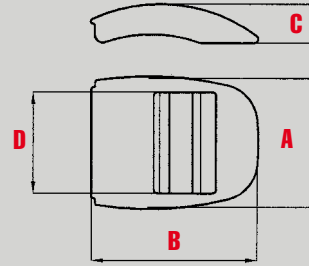
MOD.	MAT.	COL.	A	B	C	D
ASP 25	A-N-NIR	Std.	32.5	42	10	25.5

ASF



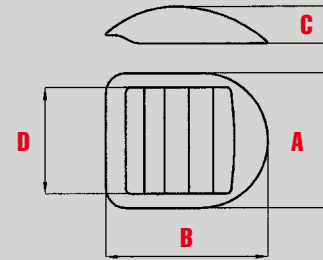
MOD.	MAT.	COL.	A	B	C	D	E
ASF 25	N	Std.	32	39	16	25.5	Ø 10

SCL



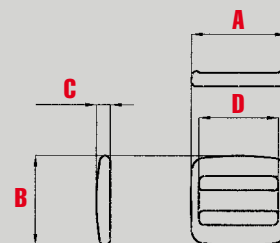
MOD.	MAT.	COL.	A	B	C	D
SCL 25	N	Std.	33	43	10	26

ASN



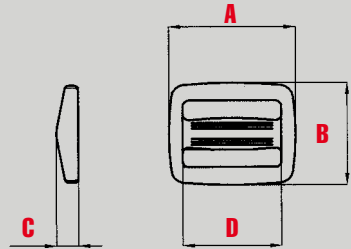
MOD.	MAT.	COL.	A	B	C	D
ASN 15	N-A	Std.	21	34.5	9	16
ASN 20	N-A	Std.	28	37.5	9	21
ASN 25	N-A	Std.	33	40	9.5	26
ASN 30	N-A	Std.	38	41	10	31
ASN 40	N-A	Std.	50	50.5	11	41

SM



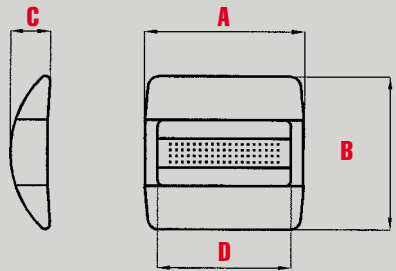
MOD.	MAT.	COL.	A	B	C	D
SM 20	N	Std.	25.1	24	3.7	21

SC



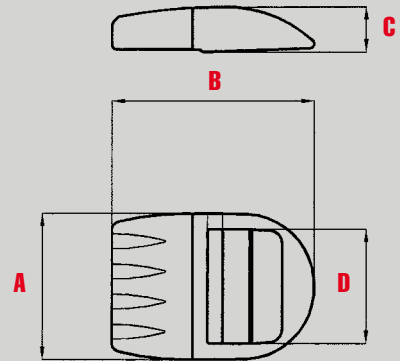
MOD.	MAT.	COL.	A	B	C	D		
SC 10	N-A	Std.	15.5	17.5	4	10.5		
SC 16	N-A	Std.	22.5	23.5	5	16.5		
SC 20	N-A	Std.	27.5	22	5	21		
SCN 25	N-A	Std.	32.7	26.5	5.7	25.5		
SC 30	N-A	Std.	37.5	28.2	6	30.5		
SC 40	N-A	Std.	50.5	36.8	7.4	40.6		
SCN 50	N-A	Std.	59.5	36	7	50.5		

TSC



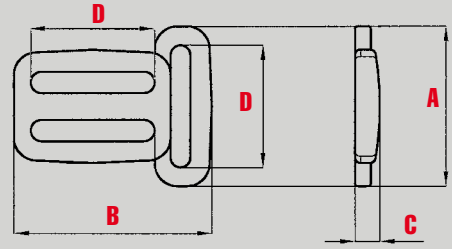
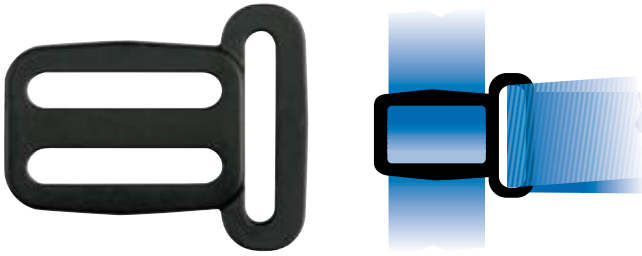
MOD.	MAT.	COL.	A	B	C	D		
TSC 30	N-A	Std.	37.5	36.2	9.3	31.3		
TSC 40	N-A	Std.	47.5	37	9.8	40.5		

LSC



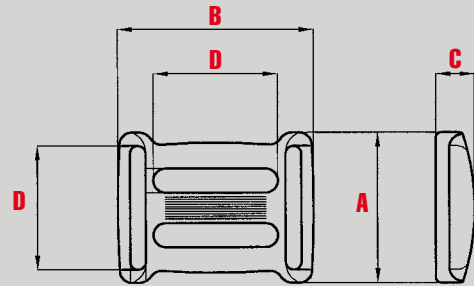
MOD.	MAT.	COL.	A	B	C	D		
LSC 25	N	Std.	34	47	10.5	26.5		

SAS



MOD.	MAT.	COL.	A	B	C	D
SAS 25	N	B	32.7	40.2	5	25.2

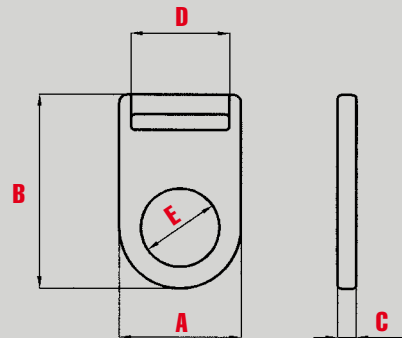
DSAS



MOD.	MAT.	COL.	A	B	C	D
DSAS 25	N	B	40.5	31.2	8	25.7

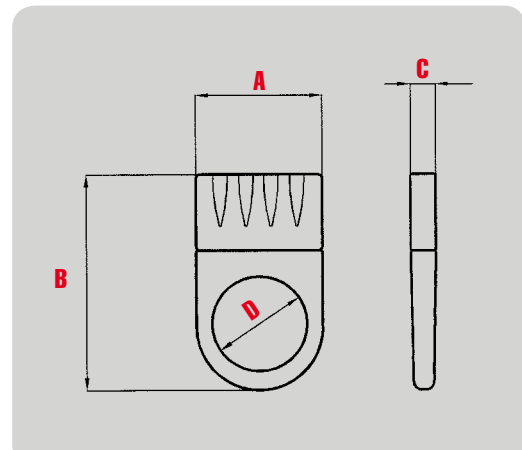
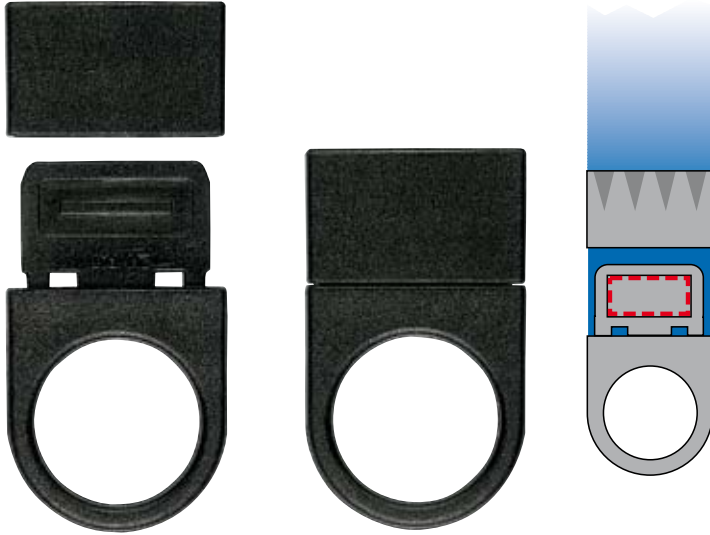
**TIRANASTRI
STRAP PULLER**

PULL



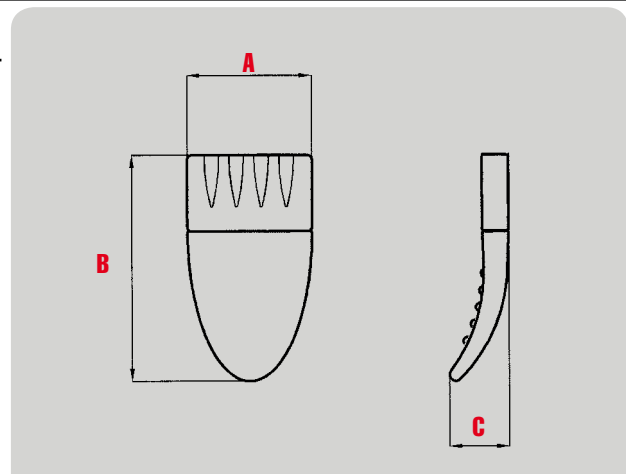
MOD.	MAT.	COL.	A	B	C	D	E
PULL 25	N	Std.	31	49.5	4.8	25	Ø 20

ATN



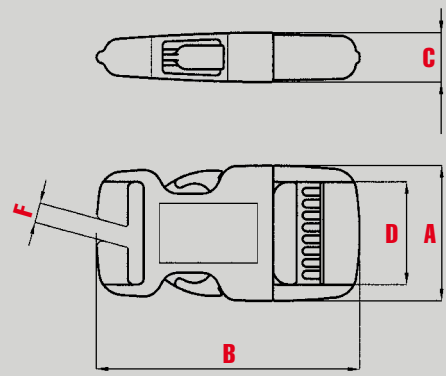
MOD.	MAT.	COL.	A	B	C	E
ATN 25	N	Std.	30	51.5	6	Ø 22

ATN/N



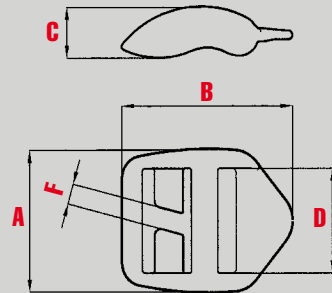
MOD.	MAT.	COL.	A	B	C			
ATN/N 25	N	Std.	30	53.7	14.1			

● **795/FC**



MOD.	MAT.	COL.	A	B	C	D	F
795/FC 25	A-N-NIR	B	34	67	12.5	26	5
795/FC 40	A-N-NIR	B	48	76	15.5	41	5

● **LS/BC**



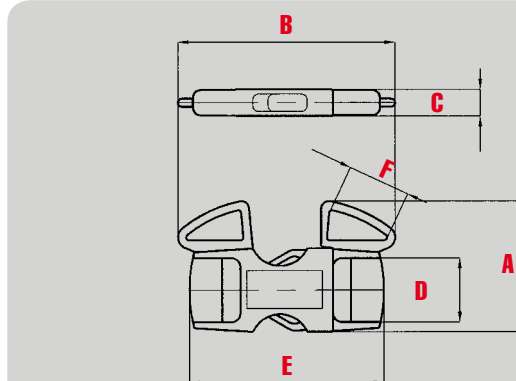
MOD.	MAT.	COL.	A	B	C	D	F
LS/BC 25	A-N-NIR	B	34.5	42	12	25.5	5





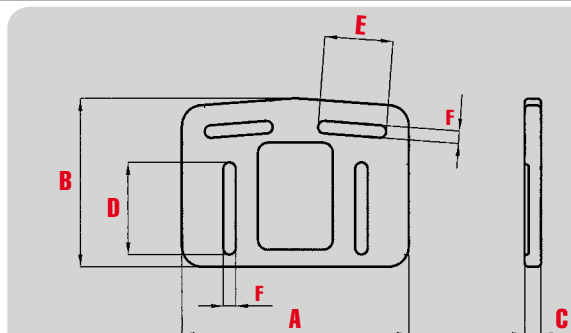
Fibbie infanzia
Nursery buckles

700/4V



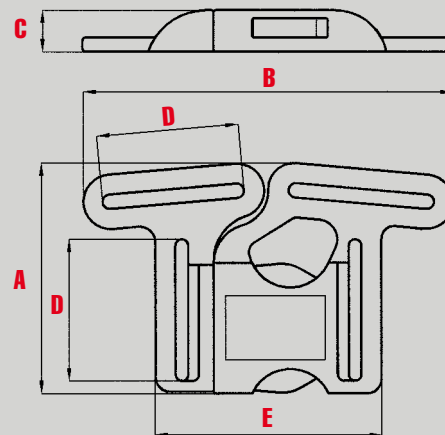
MOD.	MAT.	COL.	A	B	C	D	E	F
700/4V	A	Std.	44	72.5	9	21.5	65	21

PA 22



MOD.	MAT.	COL.	A	B	C	D	E	F
PA 22 16/4	N	Std.	55	41	4	22.5	16.5	3
PA 22/4	N	Std.	55	41	4	22.5	22.5	3

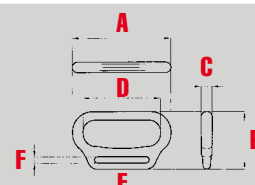
800/4V



MOD.	MAT.	COL.	A	B	C	D	E
800/4V	A	Std.	63.5	101.5	12	39	62

**PASSANTE
LOOP**

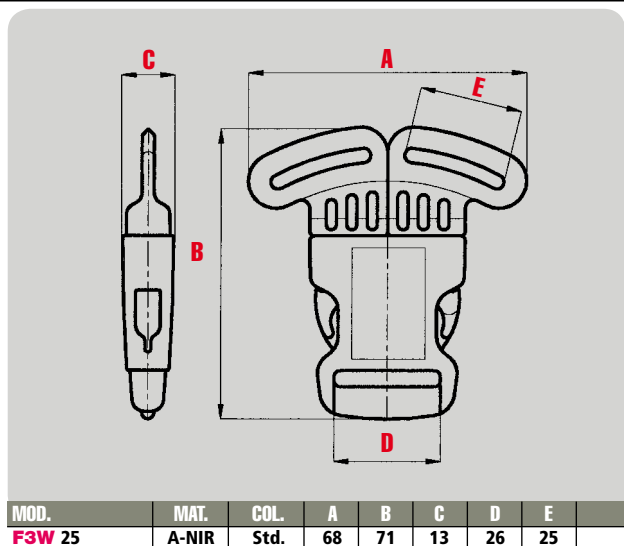
CH 25/35



MOD.	MAT.	COL.	A	B	C	D	E	F
CH 25/35	N	B	46.8	27.5	5.3	36.8	26	3

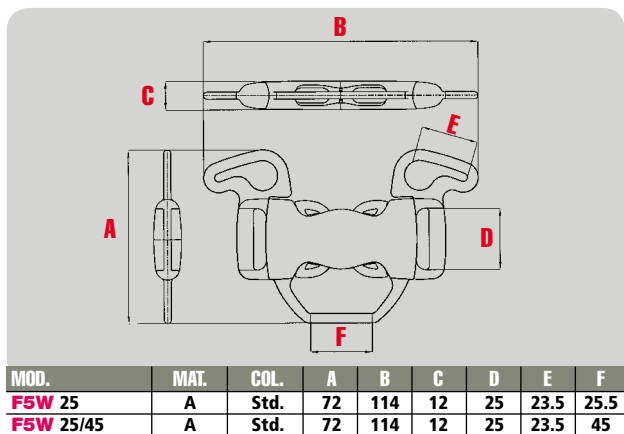
FIBBIE A 3 VIE
3 WAY BUCKLES

F3W

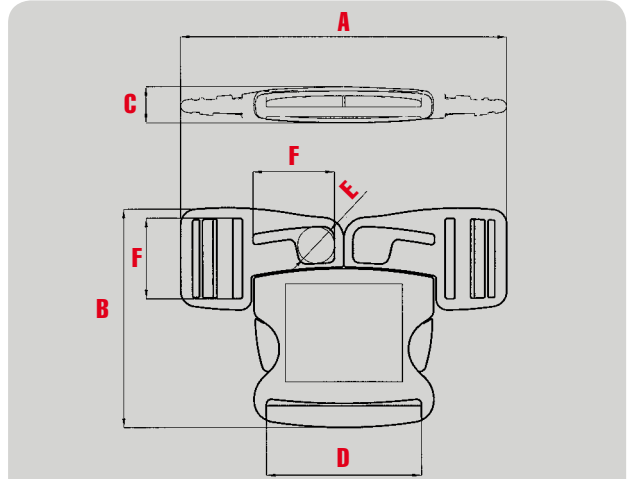


FIBBIE A 5 VIE
5 WAY BUCKLES

F5W

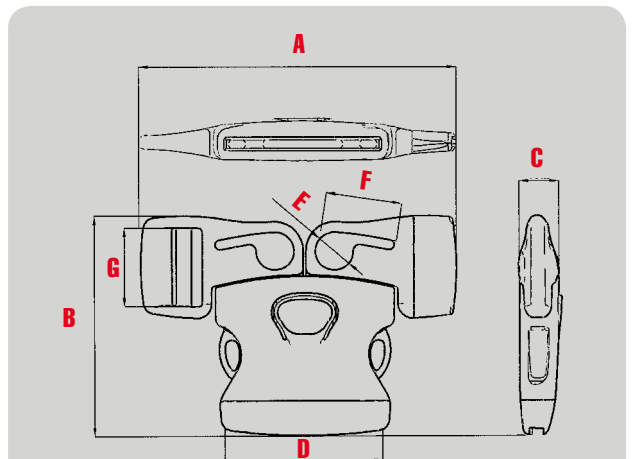


N5W



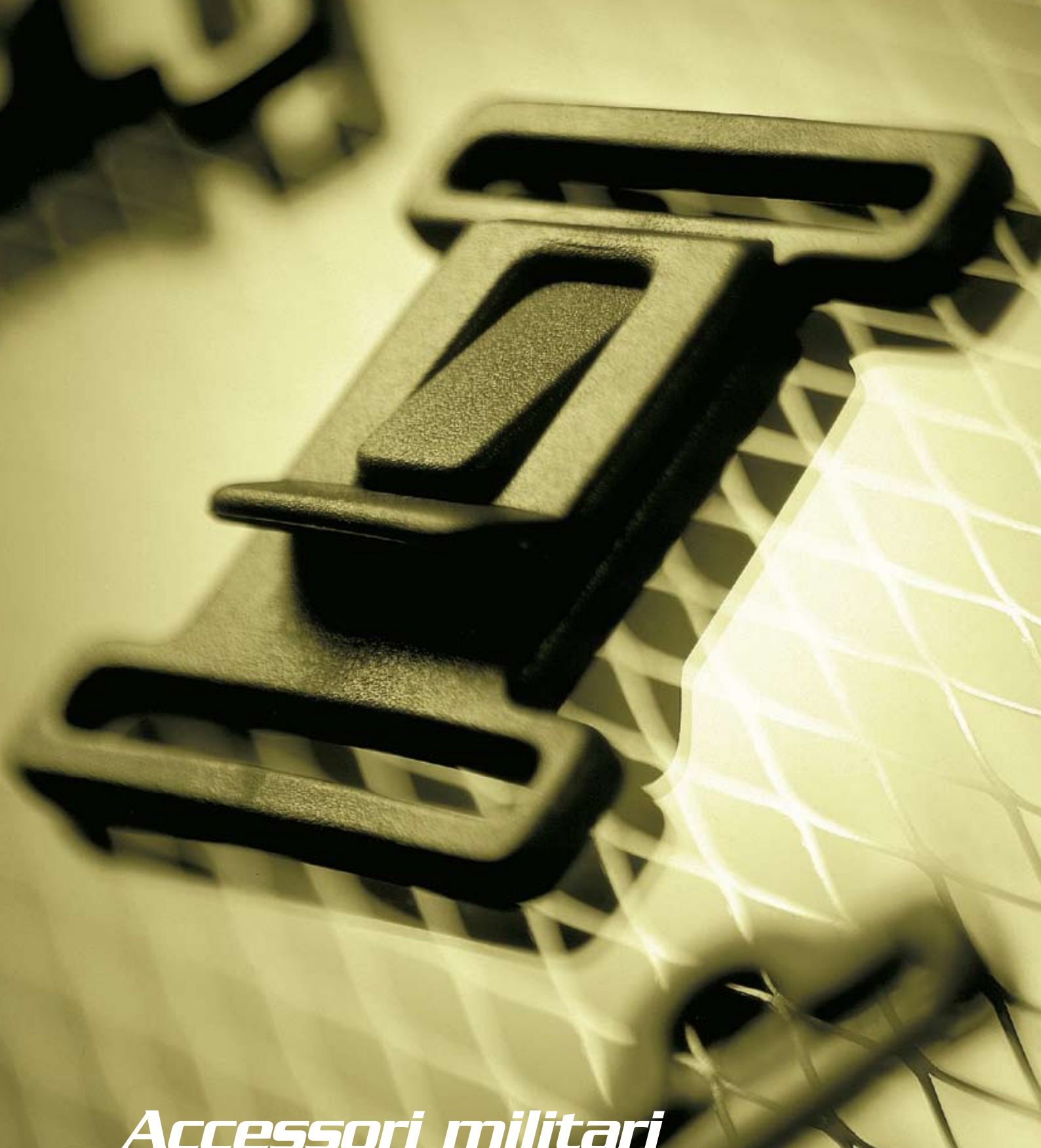
MOD.	MAT.	COL.	A	B	C	D	E	F
N5W 25/50	A	Std.	106	71.5	12	50	Ø 12	26.5

SB



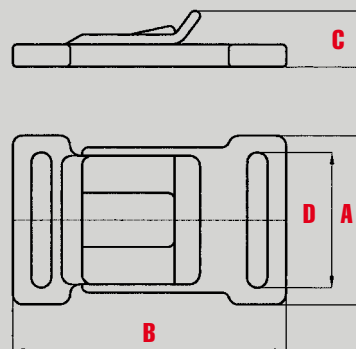
MOD.	MAT.	COL.	A	B	C	D	E	F	G
SB 25/50	NIR	Std.	104.5	73	13.2	52	Ø 12.5	25.1	25.7

A richiesta pulsante colorato
At request colored button



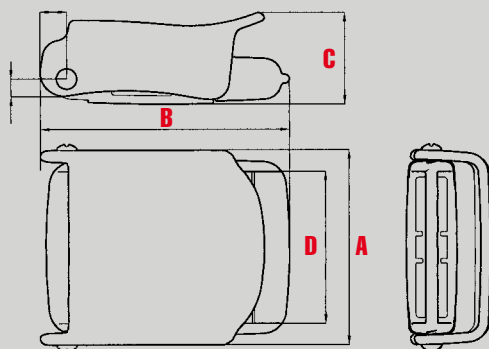
Accessori militari
Military components

● **FM**



MOD.	MAT.	COL.	A	B	C	D
FM 40	A-N	B+I.R.	49.5	81	16.5	40
FM 55	A-N	B+I.R.	67.5	81.5	16.5	57.3

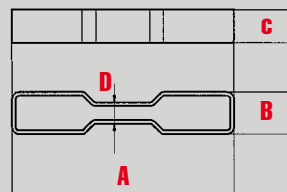
● **795 CFM**



MOD.	MAT.	COL.	A	B	C	D
795 CFM 50	N	Std.	65.5	83.3	30.7	51

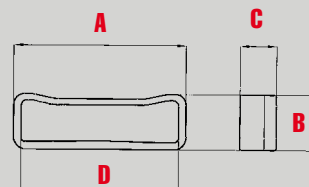


PSM 56



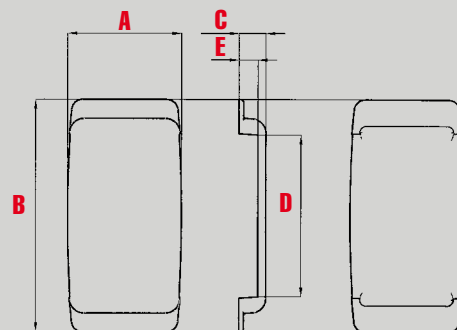
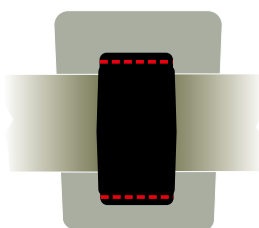
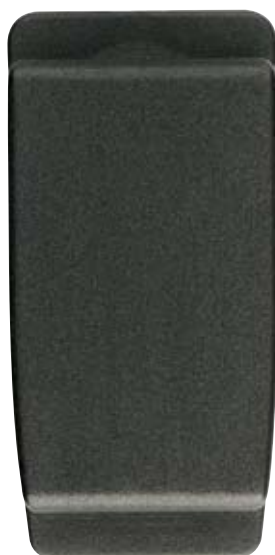
MOD.	MAT.	COL.	A	B	C	D
PSM 56	A	B+I.R.	60	11.5	9	4

PSM 50



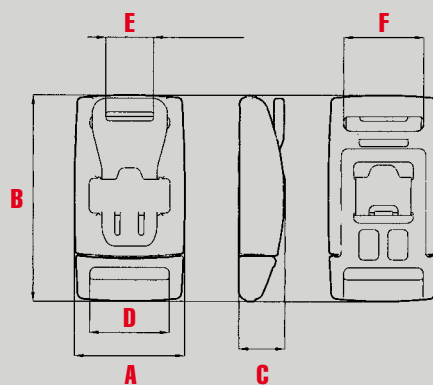
MOD.	MAT.	COL.	A	B	C	D
PSM 50	N	B+I.R.	56.7	18.4	12	52

PCM



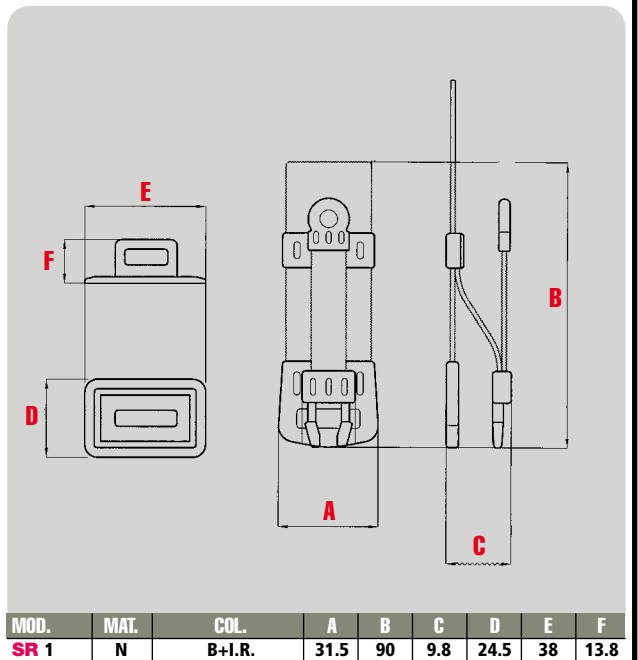
MOD.	MAT.	COL.	A	B	C	D	E
PCM 50	N	B+I.R.	36	74	8.5	51.5	6

SRS 25

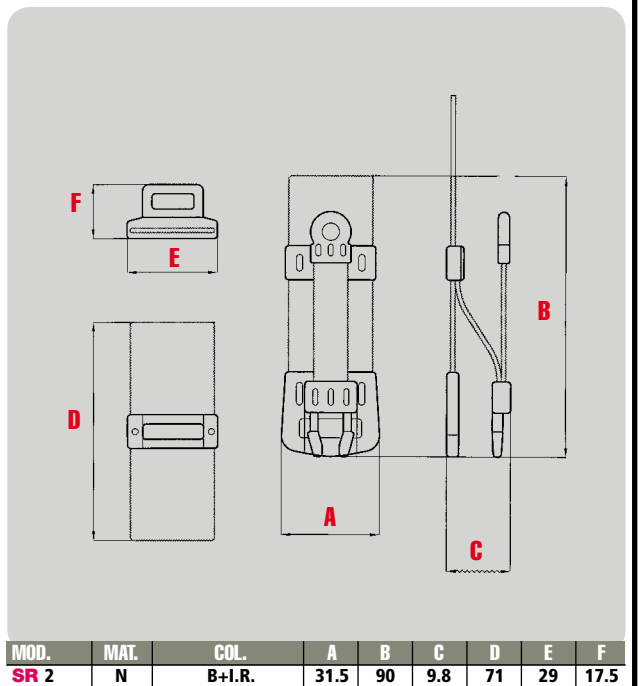


MOD.	MAT.	COL.	A	B	C	D	E	F
SRS 25	A	B+I.R.	36	67.5	15	26	16.6	26

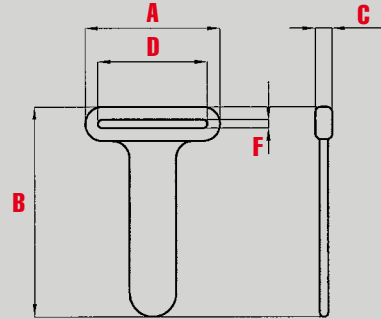
SR 1



SR 2

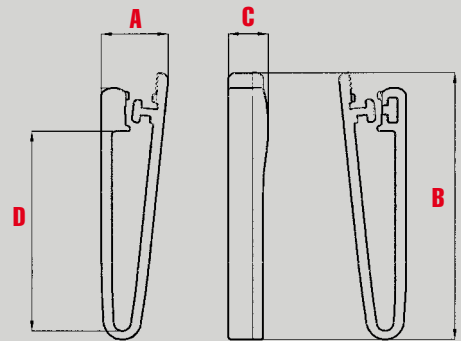
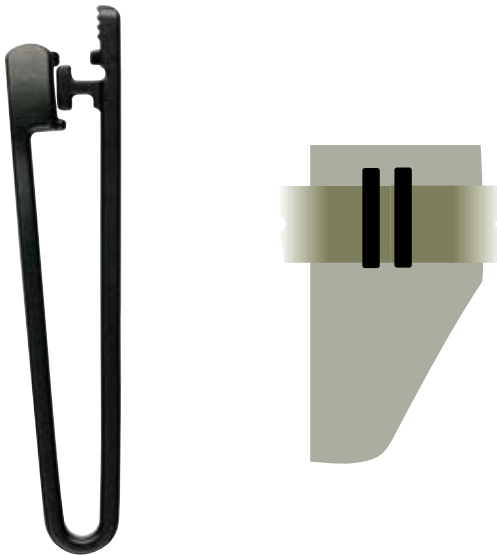


TEE BAR



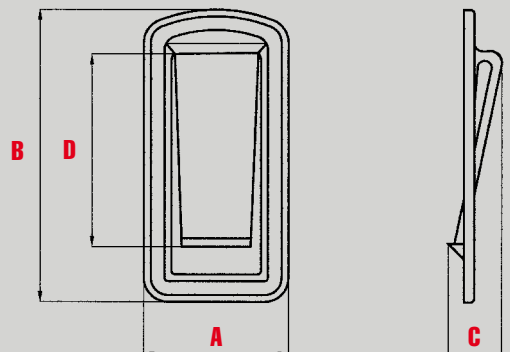
MOD.	MAT.	COL.	A	B	C	D	F
TEE BAR	A	B+I.R.	31.5	49.5	3.9	25.6	2

ATM



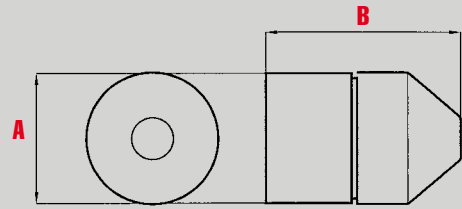
MOD.	MAT.	COL.	A	B	C	D
ATM 55	N	B+I.R.	19.2	76.8	11.5	57.5

GPP



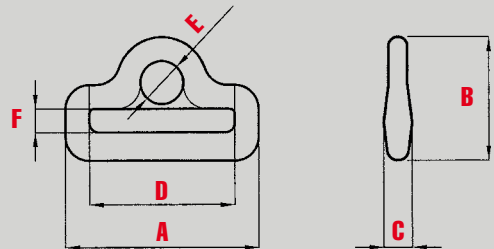
MOD.	MAT.	COL.	A	B	C	D
GPP 50	NIR	B+I.R.	42	85	15.5	56

CONTENITORE FONDINA PISTOLA



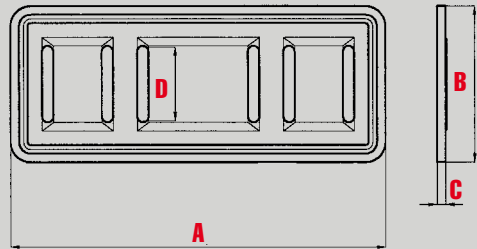
MOD.	MAT.	COL.	A	B			
CONT. FOND. PISTOLA	N	B+I.R.	Ø 34.5	51.7			

RCF



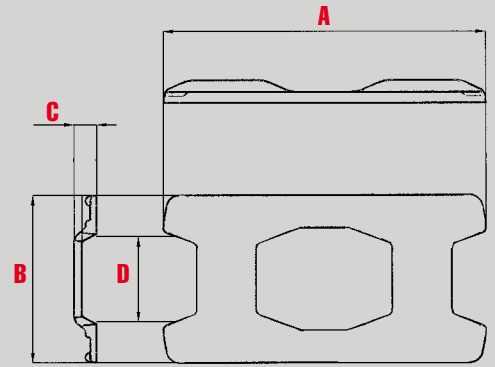
MOD.	MAT.	COL.	A	B	C	D	E	F
RCF 30	N	B+I.R.	40.5	26	6	30.5	Ø 9	5

PC6L



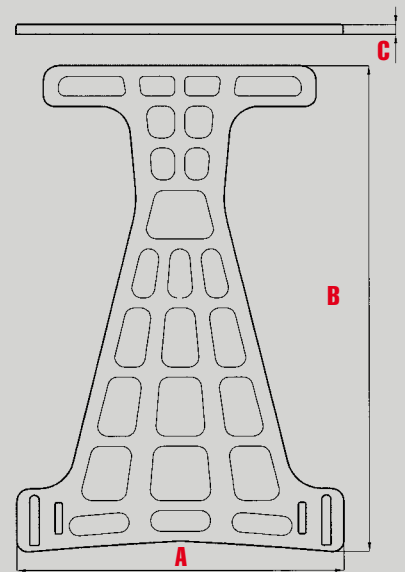
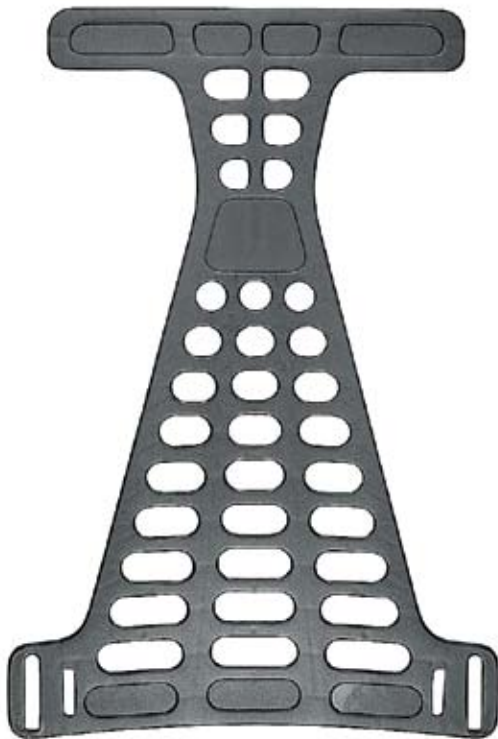
MOD.	MAT.	COL.	A	B	C	D		
PC6L 25	E	B+I.R.	132	55	3	26		

PORTE SKY



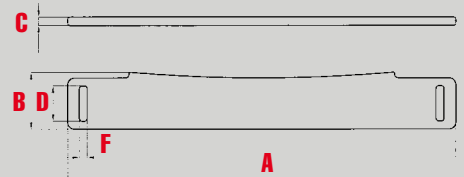
MOD.	MAT.	COL.	A	B	C	D
PORTE SKY	E	B+I.R.	97	50	6.8	25.5

BM



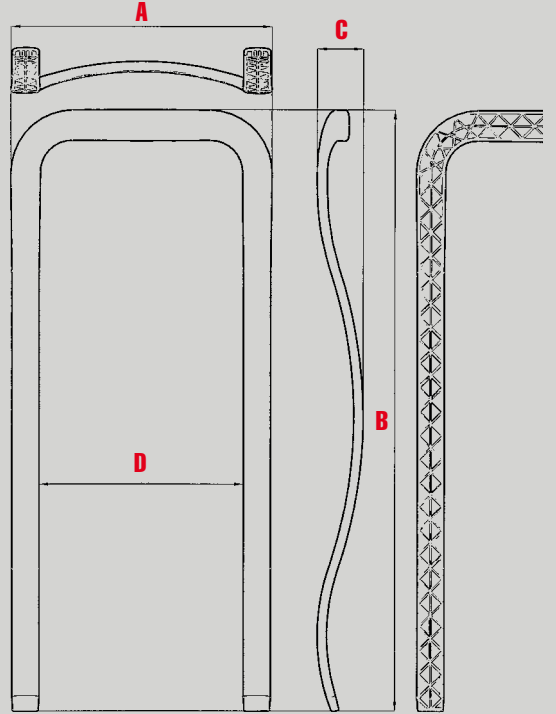
MOD.	MAT.	COL.	A	B	C
BM	NHI 40	B+I.R.	331	492	10

STM



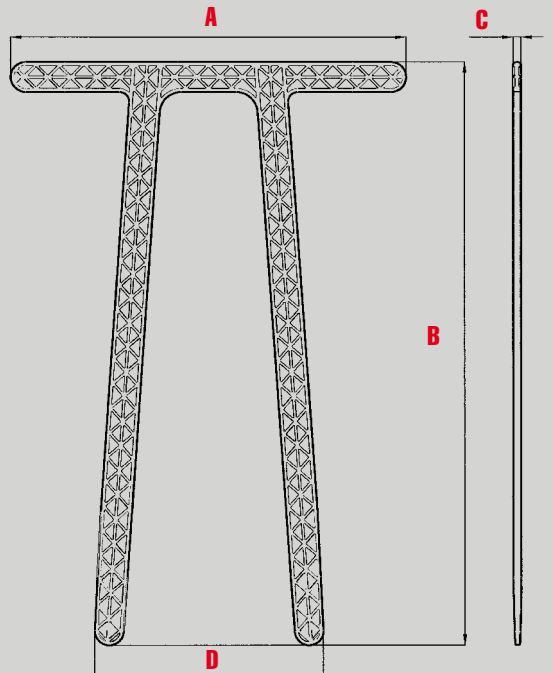
MOD.	MAT.	COL.	A	B	C	D	F
STM	N	B+I.R.	50	34.5	7.5	31	7.1

ARM



MOD.	MAT.	COL.	A	B	C	D
ARM	NHI 40	B+I.R.	250	578	44.5	196

BPM

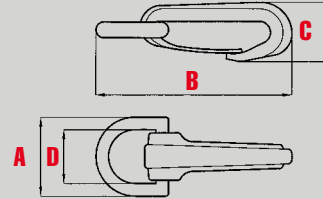


MOD.	MAT.	COL.	A	B	C	D
BPM	NHI 40	B+I.R.	330	490	6.5	191



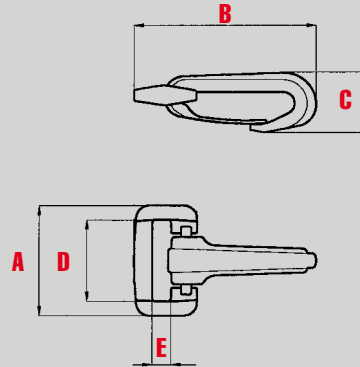
Moschettoni - Componenti
Hooks - Components

MST



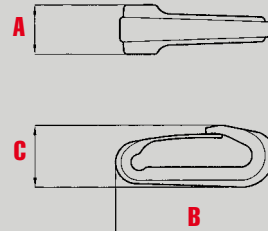
MOD.	MAT.	COL.	A	B	C	D
MST 20	A-N	Std.	25	62.5	19	17

MS



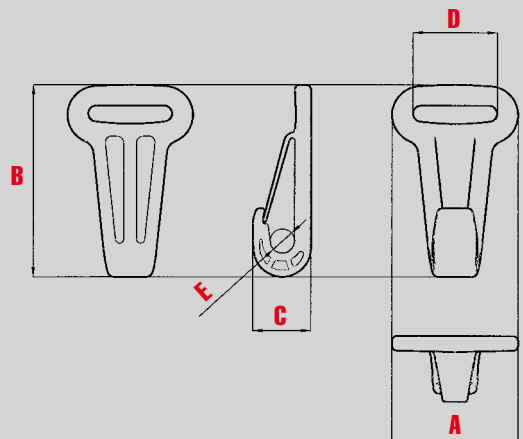
MOD.	MAT.	COL.	A	B	C	D	E
MS 20	A-N	Std.	31	58	19	21	6
MS 25	A-N	Std.	35	58	19	26	6
MS 30	A-N	Std.	41.5	58	19	31.5	6
MS 40	A-N	Std.	52	58	19	42	6
MS 50	A-N	Std.	60	58	19	51	6

MPM



MOD.	MAT.	COL.	A	B	C
MPM	A-N	Std.	15	48.5	19

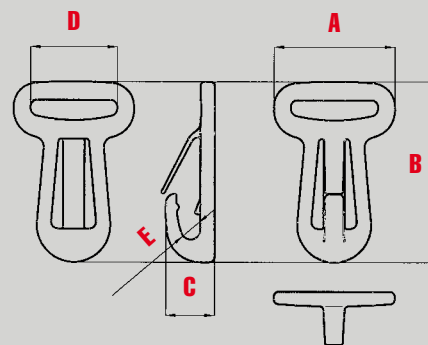
MMP



MOD.	MAT.	COL.	A	B	C	D	E
MMP 25	A-NIR	Std.	39	60	18	26	Ø 7.7

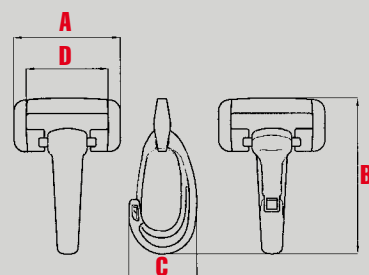
MOSCHETTONI SEMPLICI SNAPHOOKS

GM



MOD.	MAT.	COL.	A	B	C	D	E
GM 25	A-NIR	Std.	36	54	14.6	26	Ø 6

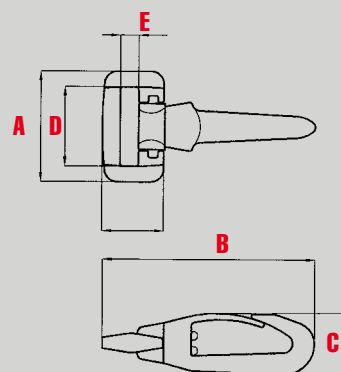
NHR



MOD.	MAT.	COL.	A	B	C	D
NHR 20	A-N	Std.	30	58.6	25.5	21
NHR 25	A-N	Std.	35	58.6	25.5	26
NHR 30	A-N	Std.	40	58.6	25.5	31
NHR 40	A-N	Std.	50	58.6	25.5	41
NHR 50	A-N	Std.	59.5	60	25.5	50.3

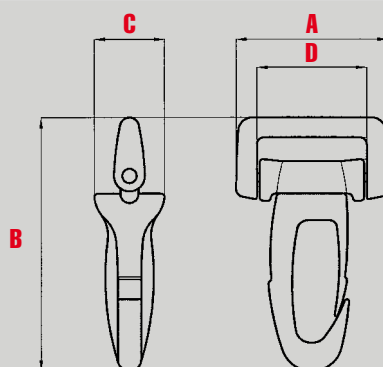
MOSCHETTONI ROTANTI SWIVEL HOOKS

MR

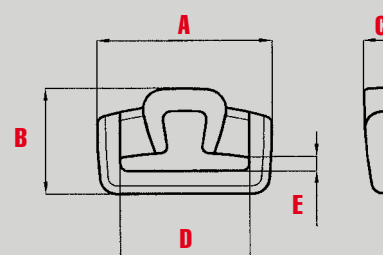


MOD.	MAT.	COL.	A	B	C	D	E
MR 20	N-NIR	Std.	32	69	20	22	6
MR 25	N-NIR	Std.	36	69	20	26	6
MR 30	N-NIR	Std.	41.5	69	20	31.5	6
MR 40	N-NIR	Std.	51.5	69	20	41.5	6
MR 50	N-NIR	Std.	59.5	71	20	50	6

TSH - RH

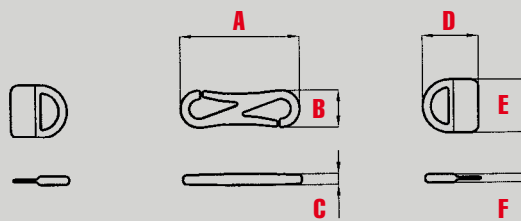


MOD.	MAT.	COL.	A	B	C	D
TSH 30	NIR	Std.	42	70.5	Ø 18	30.5
TSH 40	NIR	Std.	52	70.5	Ø 18	40.5



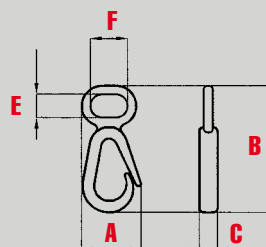
MOD.	MAT.	COL.	A	B	C	D	E
RH 30	NIR	Std.	41.5	25	8.8	31	3.5
RH 40	NIR	Std.	51.6	26	8.8	40.8	3.5

MPG



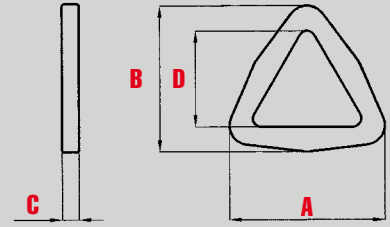
MOD.	MAT.	COL.	A	B	C	D	E	F
MPG	N	B-W	32	10	3	15	14.5	2.3

ML8



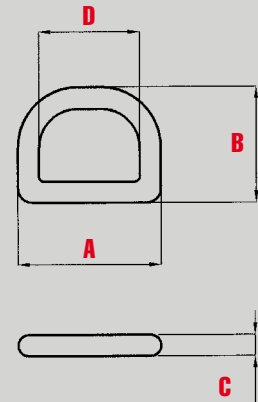
MOD.	MAT.	COL.	A	B	C	E	F
ML8	N	B-W	15.8	34.2	4.9	6.2	10

TR



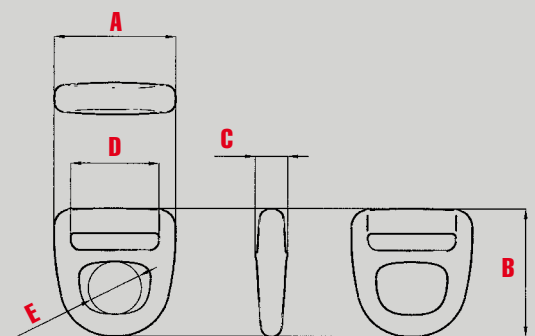
MOD.	MAT.	COL.	A	B	C	D		
TR 20	N	Std.	32.5	30.5	4.4	20.2		
TR 25	N	Std.	39.4	37.2	4.3	25.2		
TR 30	N	Std.	39.4	37.2	4.3	30		
TR 40	N	Std.	49	46	4.5	40		

SA



MOD.	MAT.	COL.	A	B	C	D		
SA 15	N	Std.	25	23	4.6	15.5		
SA 20	N	Std.	31.5	29.8	5.5	20.8		
SA 25	N	Std.	37	30	5.5	26		
SA 30	N	Std.	40.5	30	6	30		
SA 40	N	Std.	50.2	30.7	6.2	40		
SA 50	N	Std.	64	38	6.2	51.3		

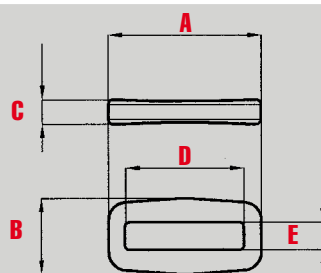
MAP



MOD.	MAT.	COL.	A	B	C	D	E	
MAP 25	N	B	35.8	38	9.5	26	Ø 15.7	

ANELLI RETTANGOLARI SQUARE LOOPS

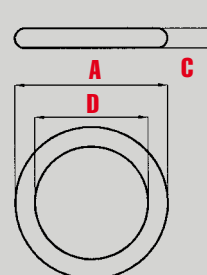
OS



MOD.	MAT.	COL.	A	B	C	D	E
OS 15	N	Std.	21.2	9.5	3.8	15.5	3.3
OS 20	N	Std.	27.5	14.6	4.5	20.5	6
OS 25	N	Std.	33	16.5	5.3	25.5	6
OS 28	N	Std.	34.5	17.5	5.3	28	6.5
OS 30	N	Std.	39	17.5	5.3	30.5	6
OS 40	N	Std.	50.3	21	5.8	41	7.5
OS 50	N	Std.	61.5	21	4.5	50.7	7.8

ANELLI TONDI RINGS

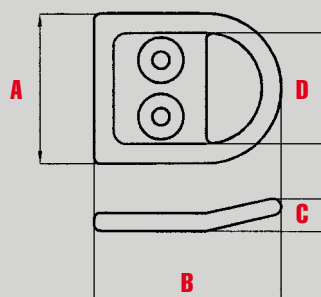
O



MOD.	MAT.	COL.	A	C	D
O 20	N	B-W	Ø 39.5	5.3	Ø 28
O 30	N	B-W	Ø 48.8	6.3	Ø 36.2
O 40	N	B-W	Ø 58.8	7.3	Ø 43.5

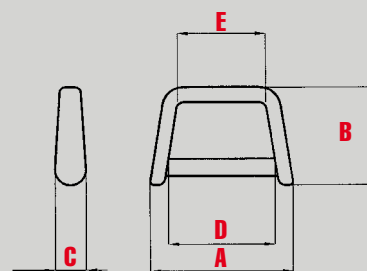
ATTACCHI LATERALI RETAINERS

AL



MOD.	MAT.	COL.	A	B	C	D
AL 25	PP	B	34.5	43.2	7.5	25.5
AL 30	PP	B	41	52	7.5	30

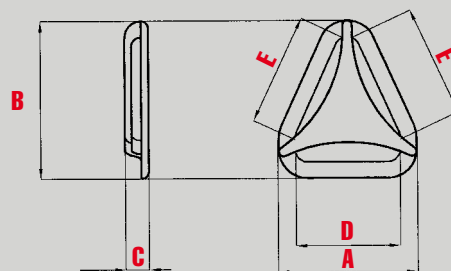
RD



MOD.	MAT.	COL.	A	B	C	D	E
RD 25/20	N	B	35	28	8.8	25	20
RD 30/25	N	B	40.5	28	8.6	30.3	25
RD 35/30	N	B	45.5	28	8	35.3	30

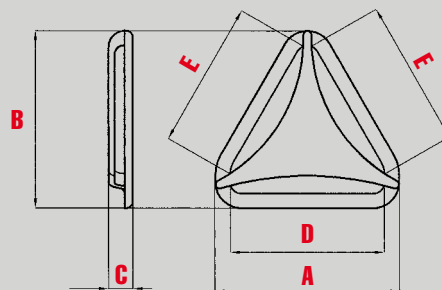
SEPARATORI
DIVIDERS

TRB



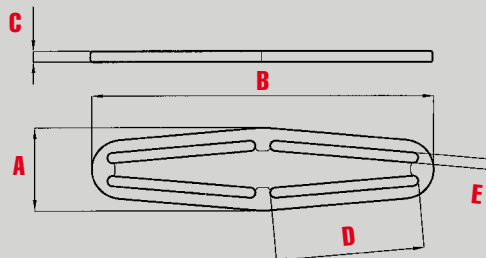
MOD.	MAT.	COL.	A	B	C	D	E
TRB 25	N	B-W	38.5	43.5	6.5	27	35.5

TRC



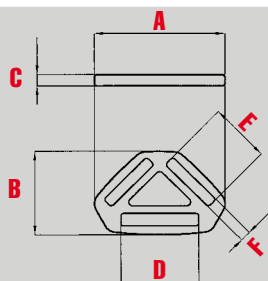
MOD.	MAT.	COL.	A	B	C	D	E
TRC 45	N	B-W	57.5	55	7.5	48	45.6

TRP



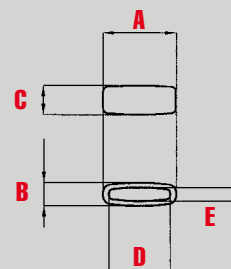
MOD.	MAT.	COL.	A	B	C	D	E
TRP 30	PP	B	22.6	74.5	3.2	31	3
TRP 40	PP	B	22.6	92.5	2.9	40.2	2.8

DIVIDER



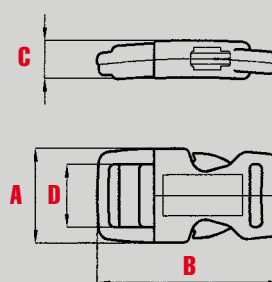
MOD.	MAT.	COL.	A	B	C	D	E	F
DIVIDER	N-E	B	42.5	27.3	3.7	25.2	19.7	3.5

PSN



MOD.	MAT.	COL.	A	B	C	D	E
PSN 16-18	E	B	20	6.5	8	16.8	3.8

ESALOCK

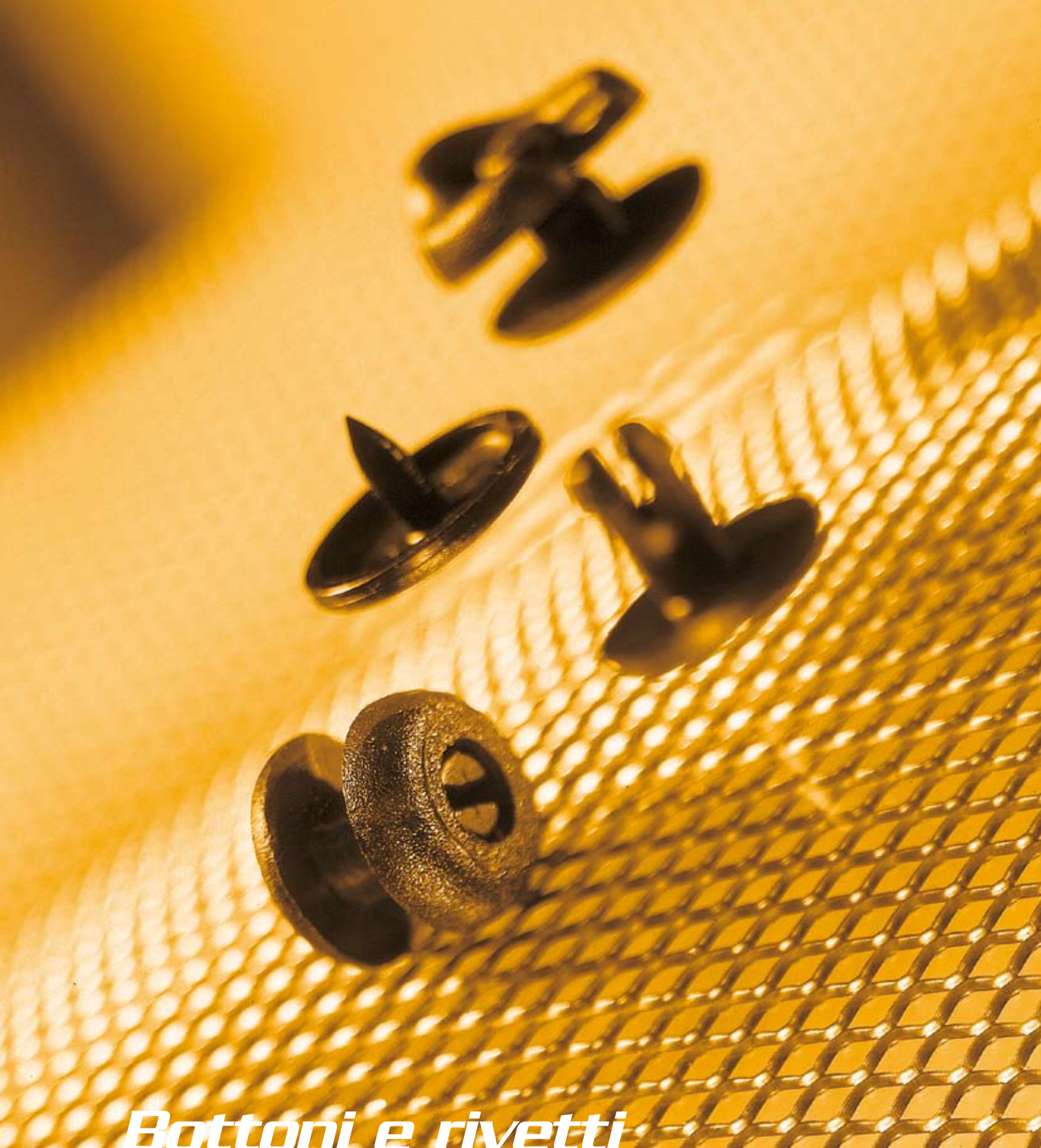


MOD.	MAT.	COL.	A	B	C	D
ESALOCK	A-NIR	Std.	25.5	51.5	9.5	17

ESALOCK/1 MALE NY 66 ST - ONE COLOUR
FEMALE NY 66 ST - ONE COLOUR

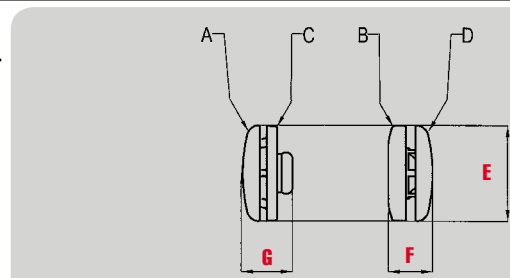
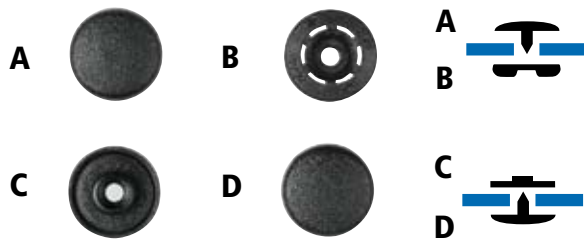
ESALOCK/2 MALE NY 66 ST - RED
FEMALE ACETAL BLACK

ESALOCK/3 MALE NY 66 ST - ONE COLOUR
FEMALE ACETAL - ONE COLOUR



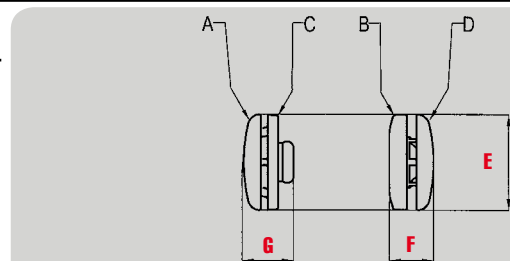
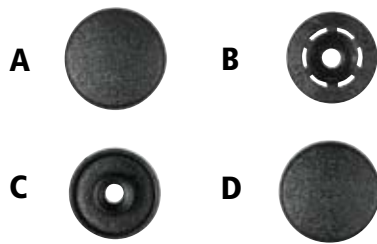
Bottoni e rivetti
Snaps and rivets

PRESS 12.5



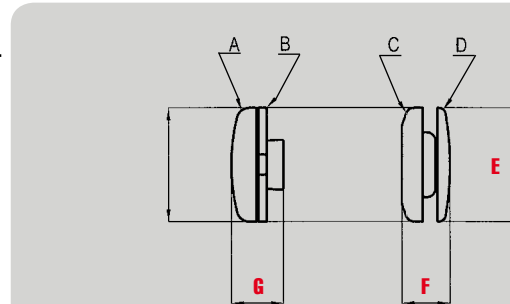
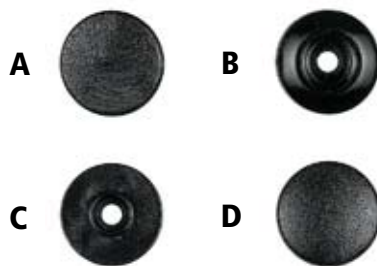
MOD.	MAT.	COL.	E	F	G
PRESS 12.5	A	Std.	Ø 12.5	5.5	6.5

PRESS 12.5 C14



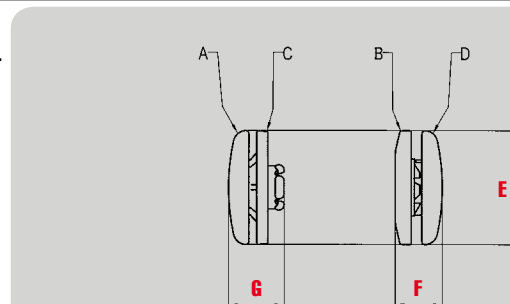
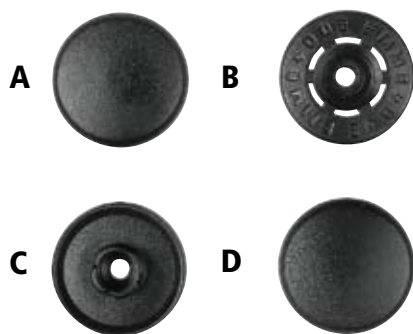
MOD.	MAT.	COL.	E	F	G
PRESS 12.5C14	A	Std.	Ø 14	5.5	6.5

PRESS/14



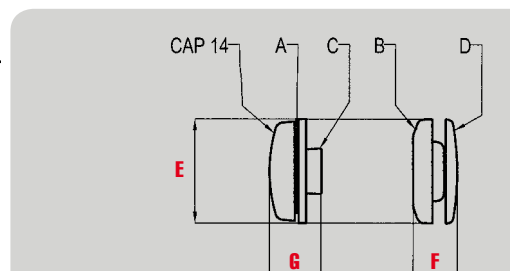
MOD.	MAT.	COL.	E	F	G
PRESS 14	A	Std.	Ø 14	5.8	6.2

PRESS/18



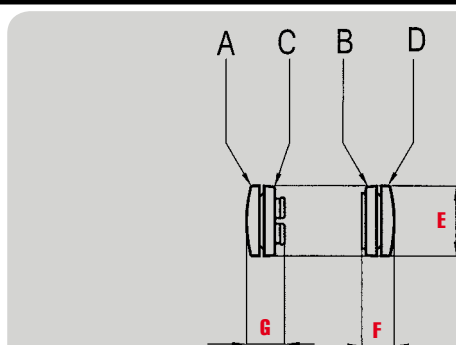
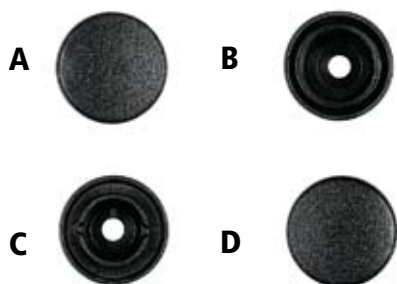
MOD.	MAT.	COL.	E	F	G
PRESS 18	A	Std.	Ø 18	7.5	8.5

PRESS/14 RC



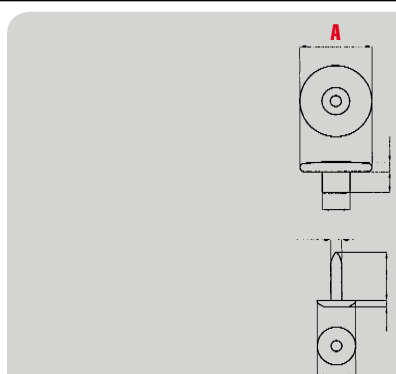
MOD.	MAT.	COL.	E	F	G
PRESS/14 RC	A	Std.	Ø 14	5.8	6.7

KAPPA/14



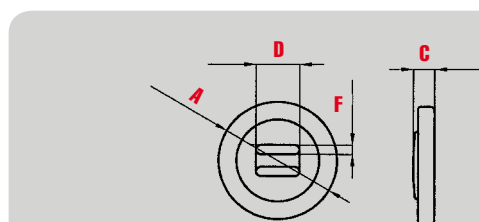
MOD.	MAT.	COL.	E	F	G
KAPPA/14	A	Std.	Ø 14.5	6.5	8

BJ/17



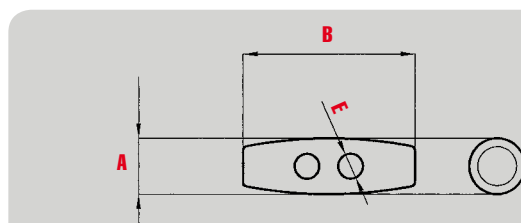
MOD.	MAT.	COL.	A	C	D
BJ/17	N	Std.	Ø 17	13	2

BF



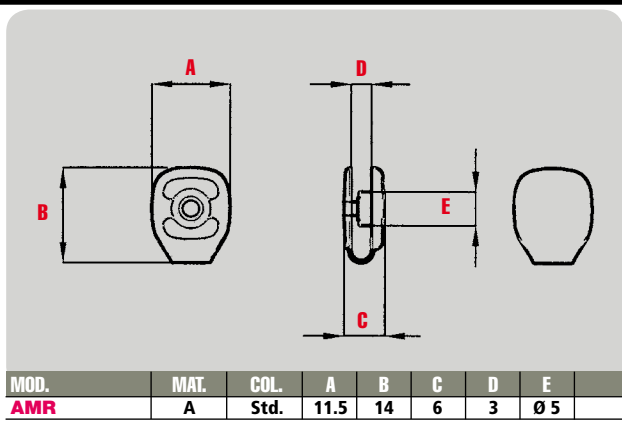
MOD.	MAT.	COL.	A	C	D	F
BF/20	NIR	B-W	Ø 20	3.7	8.8	2.2
BF/25	NIR	B-W	Ø 25	4.7	10.7	2.4
BF/30	NIR	B-W	Ø 30	5.4	11	2.4

OL2



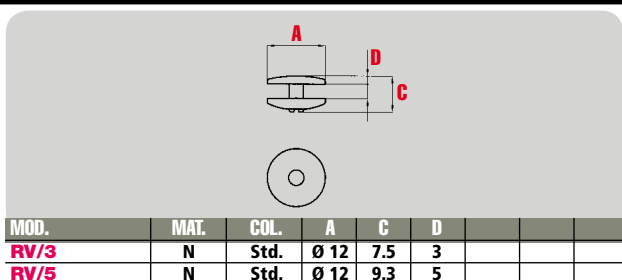
MOD.	MAT.	COL.	A	B	E
OL/2 30	N	B-W	10	30.5	Ø4.7
OL/2 35	N	B-W	11.2	35.5	Ø5.1
OL/2 40	N	B-W	13.5	42	Ø5.3

AMR

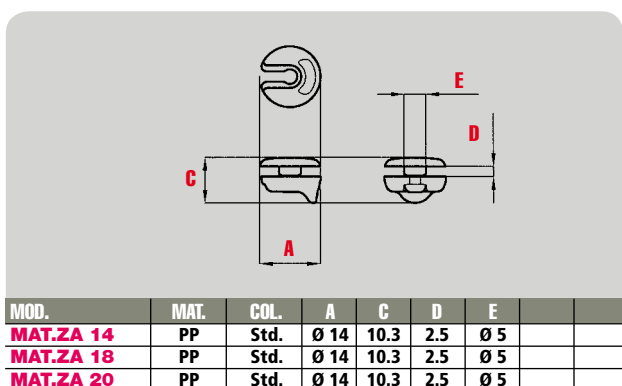


RIVETTI MANUALI MANUAL RIVETS

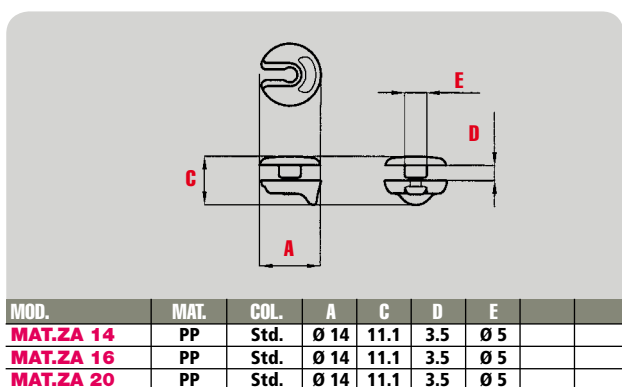
RV



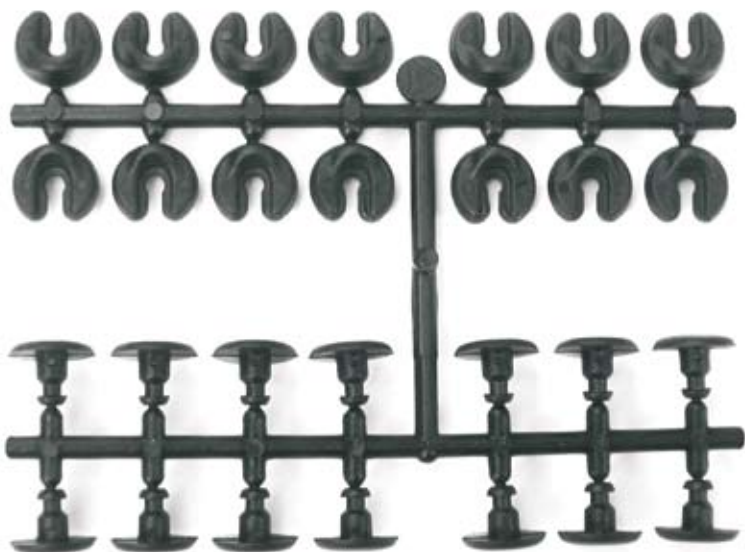
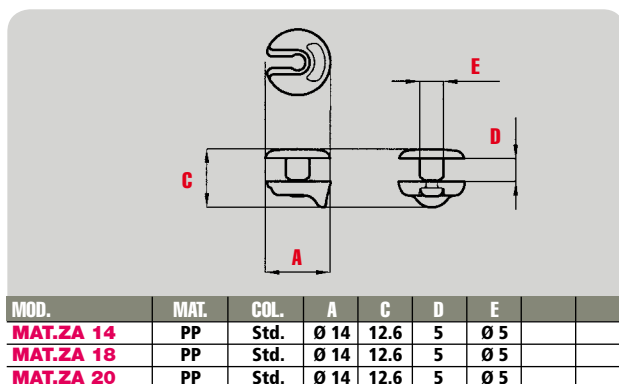
RA 14/2.5



RA 14/3.5

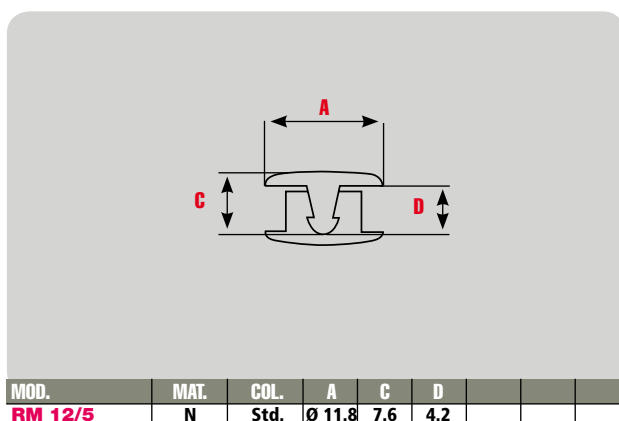


RA 14/5

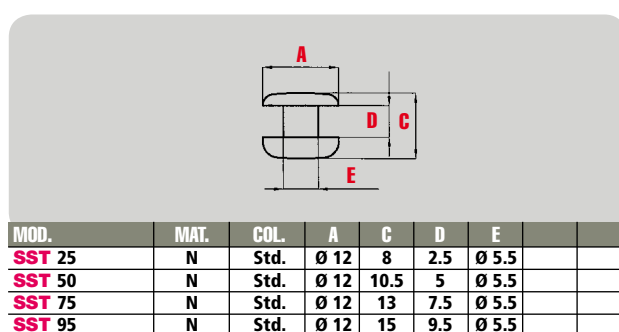


Articolo RA disponibile solo in matarozza
Article RA available only on tree

RM 12/5



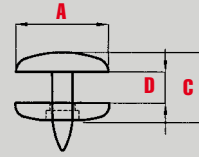
SST



RVA/12



Applicazione con punzone (a richiesta)
Application by tool (at request)



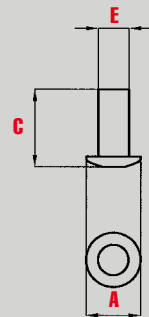
MOD.	MAT.	COL.	A	C	D			
RVA/12	A	Std.	Ø 12	9	2/4			

**RIVETTI AUTOMATICI
AUTOMATIC RIVET**

RP

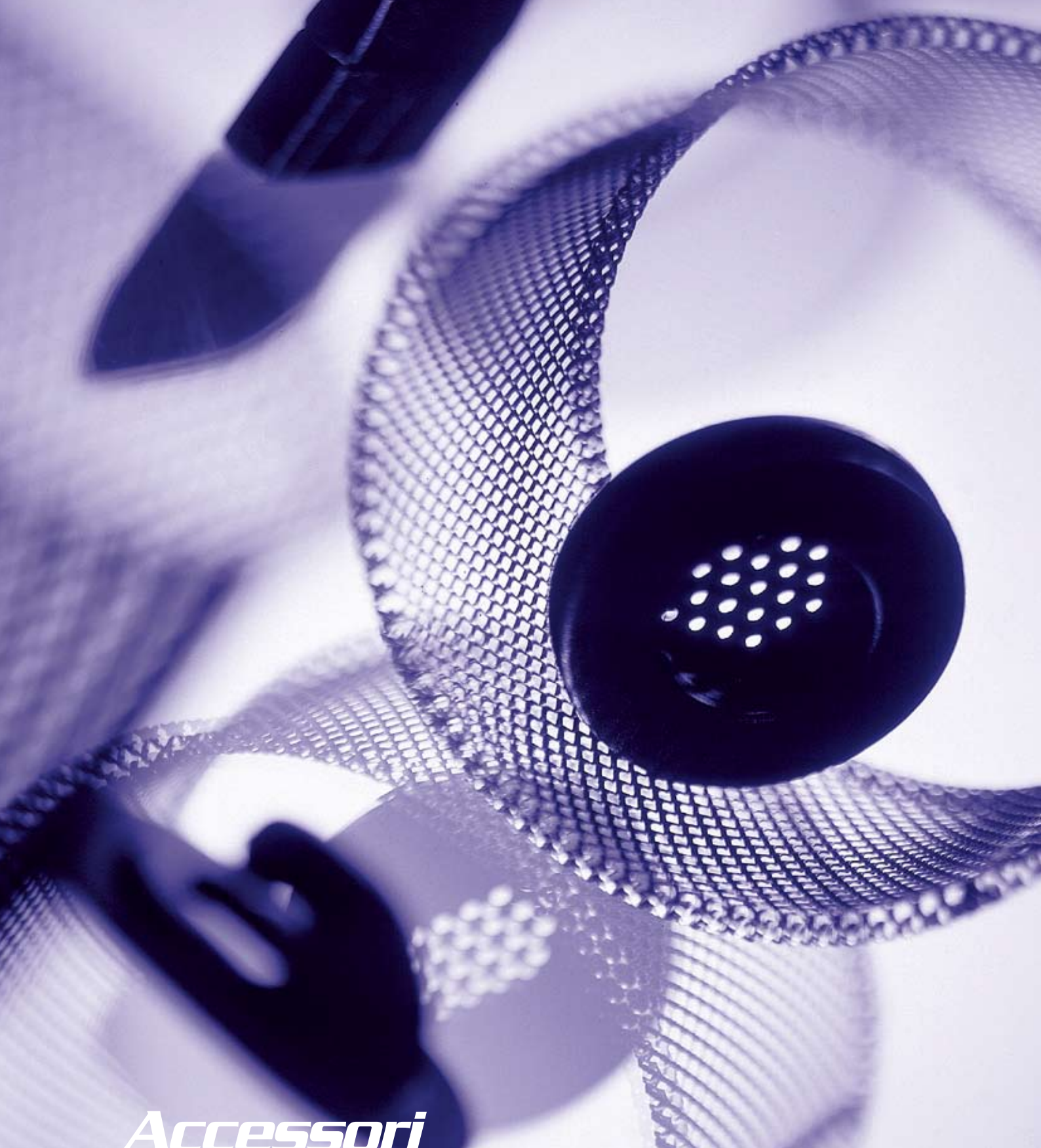


Applicazione con punzone (a richiesta)
Application by tool (at request)



MOD.	MAT.	COL.	A	C	E			
RP 4/6/8	A	Std.	Ø 7.8	7.5	Ø 3.7			
RP 7	A	Std.	Ø 6.8	9.8	Ø 3.7			



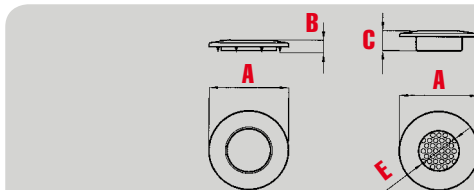


Accessori
Accessories

AR



Applicazione con punzone (a richiesta)
Application by tool (at request)

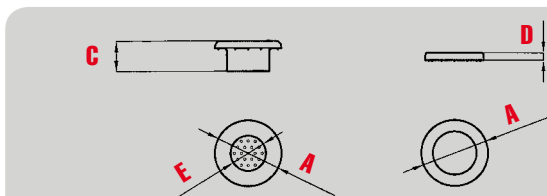


MOD.	MAT.	COL.	A	B	C	E
AR/14	N	Std.	Ø 14	2.1	4.5	Ø 7
AR/20	N	Std.	Ø 20	3.2	6	Ø 10.5
AR/27	N	Std.	Ø 27	4.3	7	Ø 14

BR/6 - BR/10 - BR/12



Applicazione con punzone (a richiesta)
Application by tool (at request)

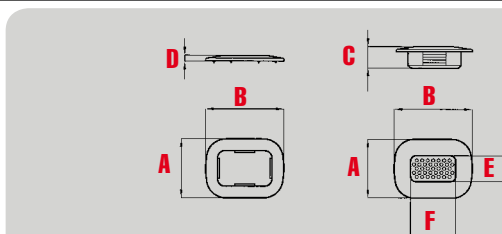


MOD.	MAT.	COL.	A	C	D	E
BR/6	PBT	Std.	Ø 11.5	6	1.5	Ø 6
BR/10	PBT	Std.	Ø 18.2	8.2	2	Ø 10
BR/12	PBT	Std.	Ø 24	8	2	Ø 12

BR

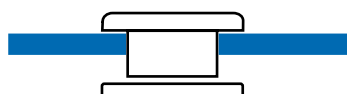


Applicazione con punzone (a richiesta)
Application by tool (at request)

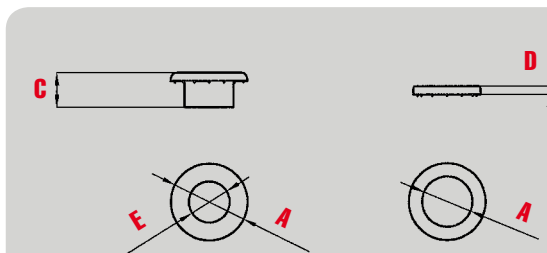


MOD.	MAT.	COL.	A	B	C	D	E	F
BR	A	Std.	21.5	28.5	8	2	9.5	16.5

OKV



Applicazione con punzone (a richiesta)
Application by tool (at request)

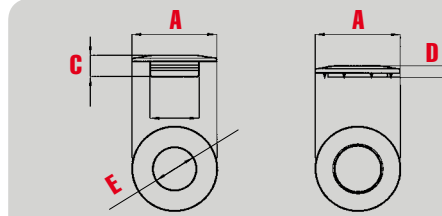


MOD.	MAT.	COL.	A	C	D	E
OKV/4.5	PBT	Std.	Ø 10.5	8.2	1.6	Ø 4.5
OKV/6	PBT	Std.	Ø 11.5	6.5	1.7	Ø 5.8
OKV/6/8	PBT	Std.	Ø 11.5	8.3	1.7	Ø 5.8
OKV/10	PBT	Std.	Ø 18.2	8.2	2	Ø 10
OKV/12	PBT	Std.	Ø 24	8	2	Ø 12
OKV/14.5	PBT	Std.	Ø 33.4	9.5	2.3	Ø 14.6
OKV/19	PBT	Std.	Ø 38	9.8	2.5	Ø 19
OKV/39	PBT	Std.	Ø 64.7	12	2.5	Ø 38.6

OKV/15



Applicazione con punzone (a richiesta) • *Application by tool (at request)*

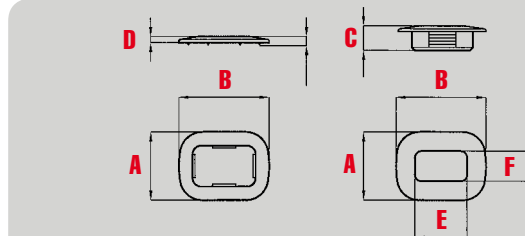


MOD.	MAT.	COL.	A	C	D	E		
OKV/15	N	Std.	Ø 27	7	2.3	Ø 15.5		

EL

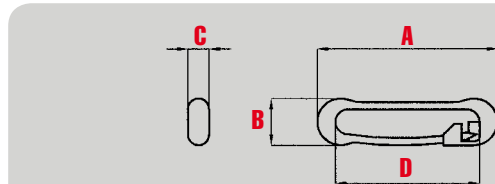


Applicazione con punzone (a richiesta) • *Application by tool (at request)*



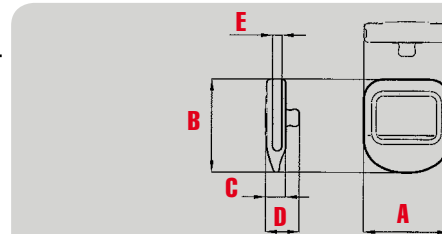
MOD.	MAT.	COL.	A	B	C	D	E	F
EL	A	Std.	21.5	28.5	8	2	16.5	9.5

PIN



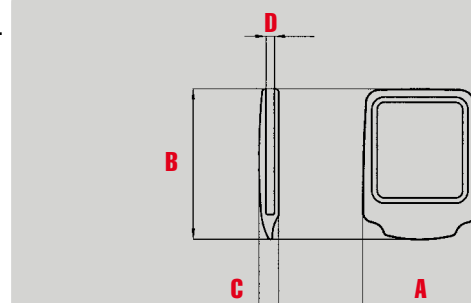
MOD.	MAT.	COL.	A	B	C	D		
PIN	A	B	25	6.5	3	20		

PLK/20



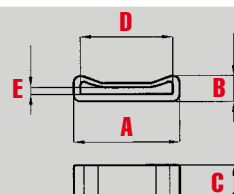
MOD.	MAT.	COL.	A	B	C	D	E	F
PLK/20	N	Std.	22	24	5	8.5	2.5	

PLK/30



MOD.	MAT.	COL.	A	B	C	D		
PLK/30	N	Std.	32	42.5	5.5	2.5		

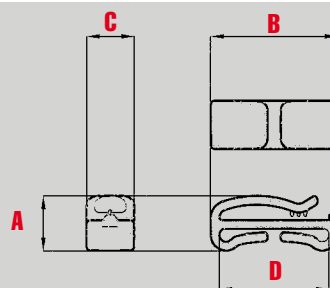
PSN



MOD.	MAT.	COL.	A	B	C	D	E
PSN 20	E	Std.	25	6.7	10.8	21.2	1.9
PSN 25	E	Std.	29.8	7.3	10.8	26	1.9
PSN 30	E	Std.	35.5	8.8	12	30.7	1.9
PSN 40	E	Std.	45.5	9.1	12	40.8	1.9

**PASSANTI APERTI
QUICK SLIP KEEPER**

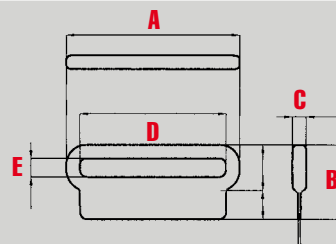
SK



MOD.	MAT.	COL.	A	B	C	D
SK 25	N	B	12.5	29.4	11	25.4
SK 40	N	B	14.4	44.5	11	40.5

**PASSANTI CUCIBILI
SEWING LOOPS**

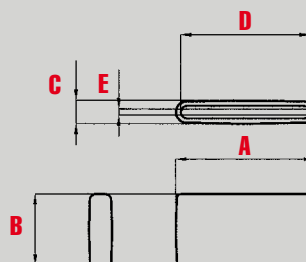
PSL



MOD.	MAT.	COL.	A	B	C	D	E
PSL 25	N	Std.	33.1	23.6	3.8	25.5	6
PSL 40	N	Std.	48	33.5	4	40.2	6
PSL 50	N	Std.	60.4	36.1	4.8	51	6

**PUNTALI
BELT ENDS**

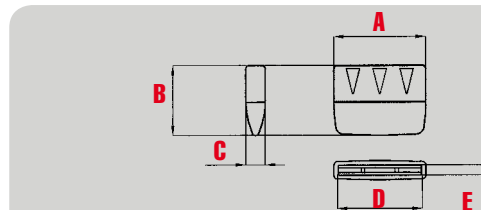
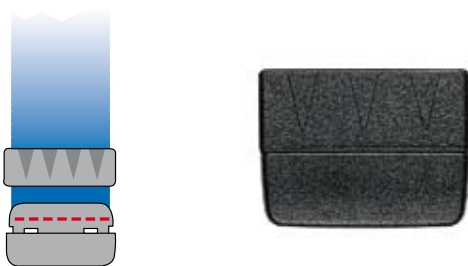
PCF



MOD.	MAT.	COL.	A	B	C	D	E
PCF/35	N	Std.	39	20	6.5	36.5	1.5

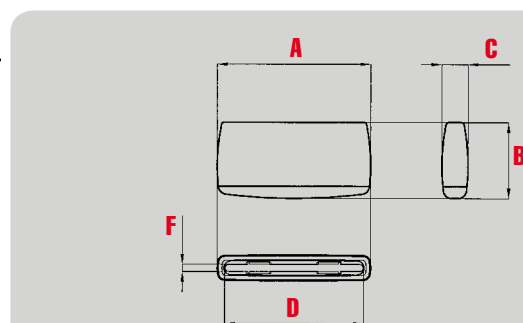
PUNALI BELT ENDS

PC



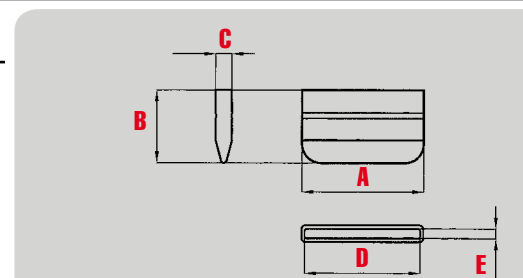
MOD.	MAT.	COL.	A	B	C	D	E
PC 20	N	Std.	22.5	20	6	20.5	1.5
PC 25	N	Std.	27.5	20	6	25.5	1.5
PC 30	N	Std.	32.7	20	6	30.4	1.5
PC 40	N	Std.	42.7	20	6	40.4	1.5

QL



MOD.	MAT.	COL.	A	B	C	D	F
QL 25	N	Std.	29	19.5	7.1	25.5	1.8
QL 40	N	Std.	44.5	22	7.6	40.3	2.15

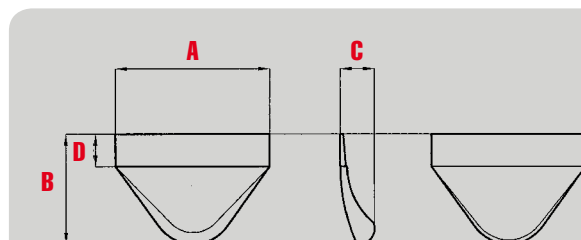
PNT



MOD.	MAT.	COL.	A	B	C	D	E	F
PNT 30	PP	Std.	32	19	4.3	30.5	2.5	
PNT 40	PP	Std.	42	21.3	4.3	40.5	2.5	

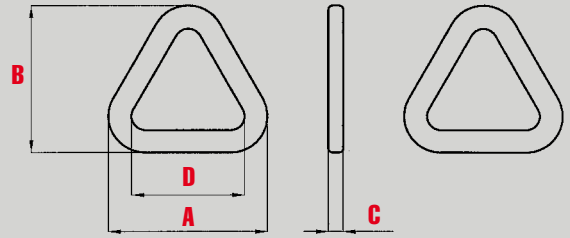
PUNALI TONDI ROUND BELT ENDS

PT



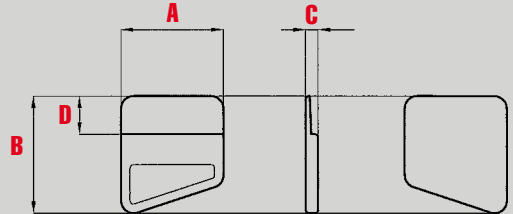
MOD.	MAT.	COL.	A	B	C	D
PT 40	GTR	B	40.5	29	9	8.5
PT 55	GTR	B	58.5	38	12	10

TSB/25



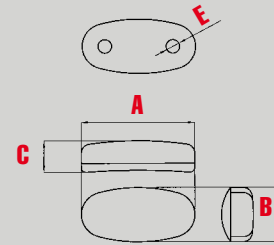
MOD.	MAT.	COL.	A	B	C	D
TSB/25	N	Std.	38.6	35.8	3.6	27.5

PPS/25



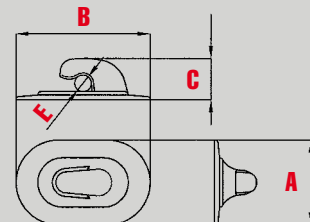
MOD.	MAT.	COL.	A	B	C	D
PPS/25	PP	Std.	25	28.8	3	9.4

SG 2/3



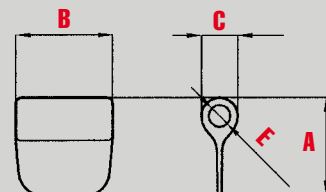
MOD.	MAT.	COL.	A	B	C	E
SG 2/3	N	Std.	25	12	7	Ø 3

GC20/30



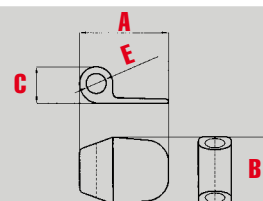
MOD.	MAT.	COL.	A	B	C	E
GC20/30	NIR	Std.	20.2	32	10	Ø 4

TUB



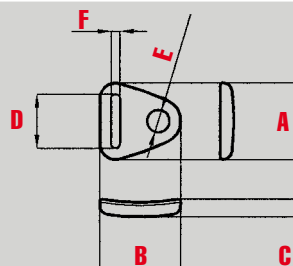
MOD.	MAT.	COL.	A	B	C	E
TUB	E-NIR	Std.	20	20	8	Ø 4.5

TUB-SA/15



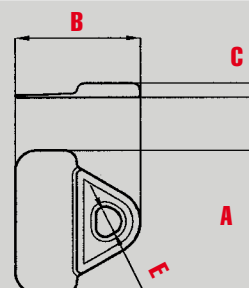
MOD.	MAT.	COL.	A	B	C	E
TUB-SA/15	NIR	Std.	20	15	8.2	Ø 4.5

PLT10/5



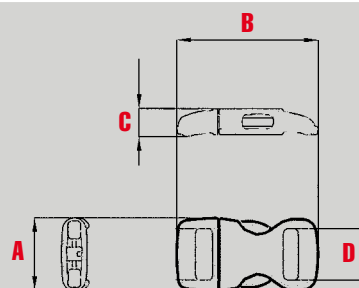
MOD.	MAT.	COL.	A	B	C	D	E	F
PLT10/5	NIR	Std.	17	18	3.9	12	Ø 5	2

PSC-N/100



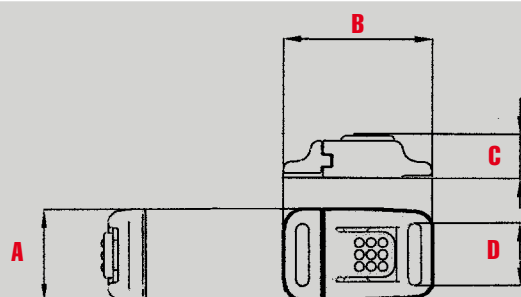
MOD.	MAT.	COL.	A	B	C	E
PSC-N/100	N	Std.	30	26.5	3	Ø 5.2

SL/10



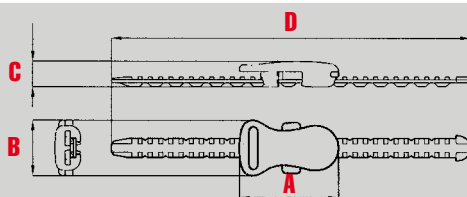
MOD.	MAT.	COL.	A	B	C	D
SL/10	A	Std.	15.5	30	6	11

CB/10



MOD.	MAT.	COL.	A	B	C	D
CB/10	A	Std.	15.5	25.2	7.5	10.5

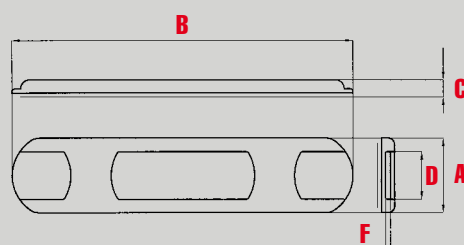
SLIDE



MOD.	MAT.	COL.	A	B	C	D	E	F
SLIDE 60	A + N	Std.	29	16	7.5	63		
SLIDE 80	A + N	Std.	29	16	7.5	81		
SLIDE 100	A + N	Std.	29	16	7.5	105		

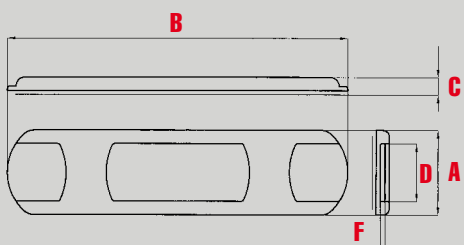
**SPALLACCI
SHOLDER PADS**

SP/16



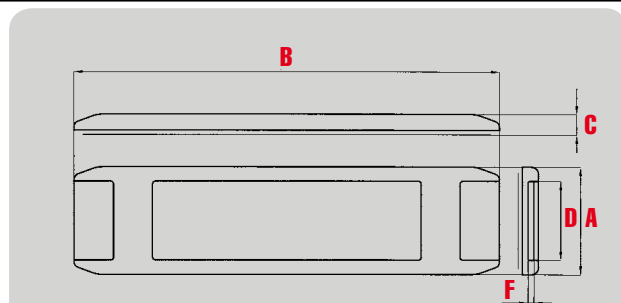
MOD.	MAT.	COL.	A	B	C	D	F
SP/16	E	Std.	27	113	5.8	18	1.8

SP/20



MOD.	MAT.	COL.	A	B	C	D	F
SP/20	E	Std.	32	128	6.5	21.8	1.8

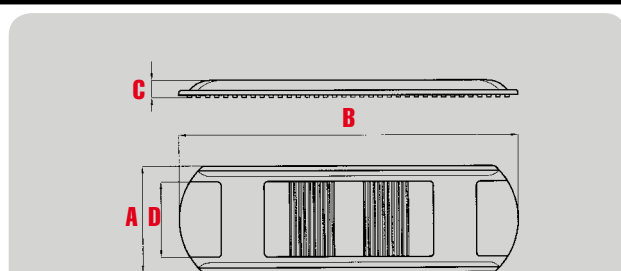
SP/25



MOD.	MAT.	COL.	A	B	C	D	F
SP/25	E	Std.	36.6	145	7	26.8	2



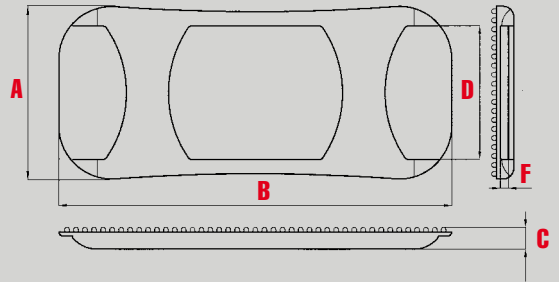
SPN



MOD.	MAT.	COL.	A	B	C	D
SPN/30	E	Std.	44.5	142	7	31.5
SPN/40	E	Std.	55	140	7	41



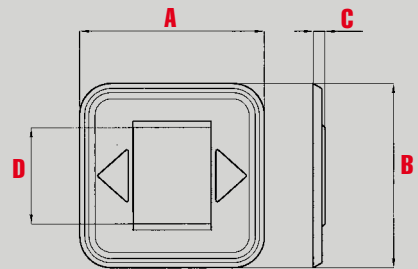
SP/50



MOD.	MAT.	COL.	A	B	C	D	F
SP/50	E	Std.	65	149	8.3	50.2	3



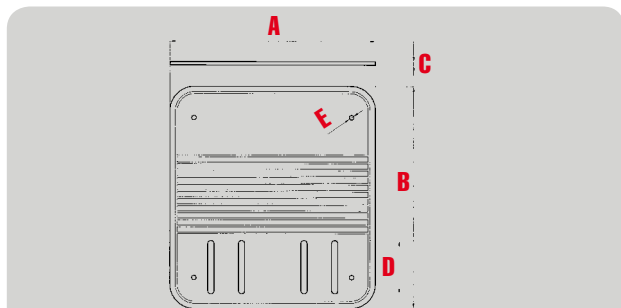
PF/30



MOD.	MAT.	COL.	A	B	C	D
PF/30	E	Std.	59	59	3.8	31



CM



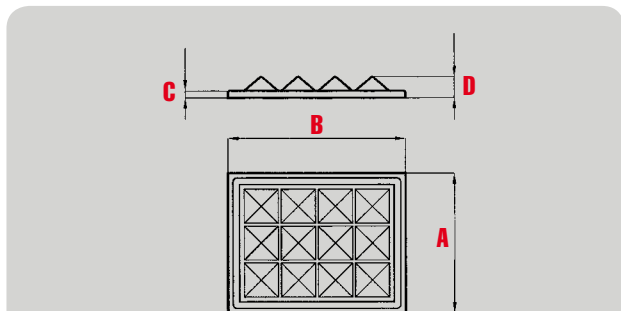
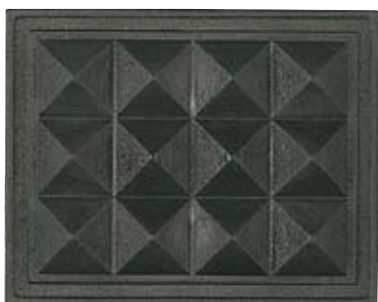
MOD.	MAT.	COL.	A	B	C	D	E
CM/30	E	Std.	117	127	1.9	30.4	Ø 2.6
CM/40	E	Std.	138	127	2.9	41	Ø 3



Applicabili bottoni automatici Press/14 - Kappa/14
Attachable with snap fasteners Press/14 - Kappa/14

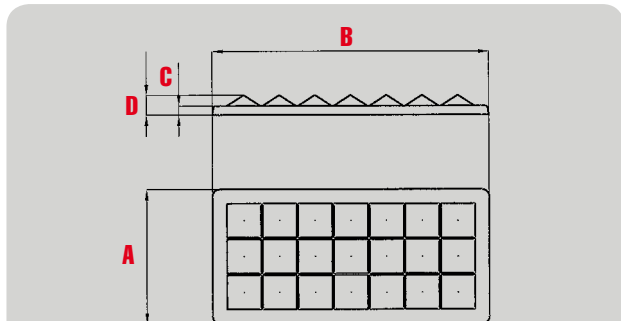
**PIEDINI
BASE STUDS**

PRC



MOD.	MAT.	COL.	A	B	C	D
PRC	E	B	39.2	49.5	1.9	5.9

PRD/21

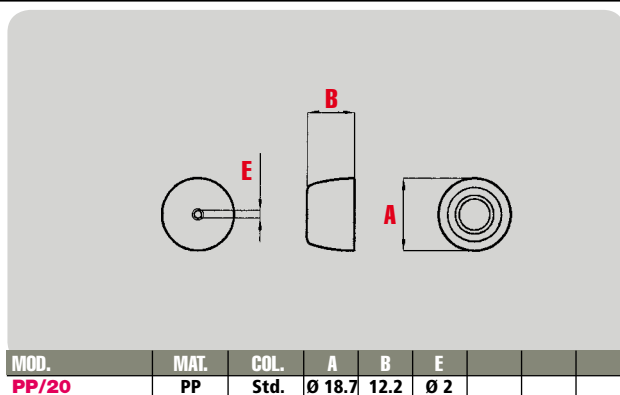


MOD.	MAT.	COL.	A	B	C	D
PRD/21	E	B	37.5	77.5	2.5	5.5

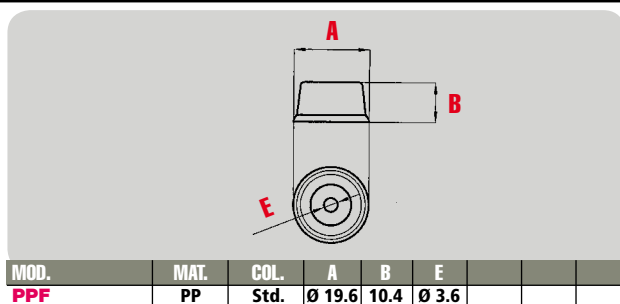
PP/20



Applicazione con punzone a richiesta
Application by tool at request



PPF



TAG



CARD PER TAG

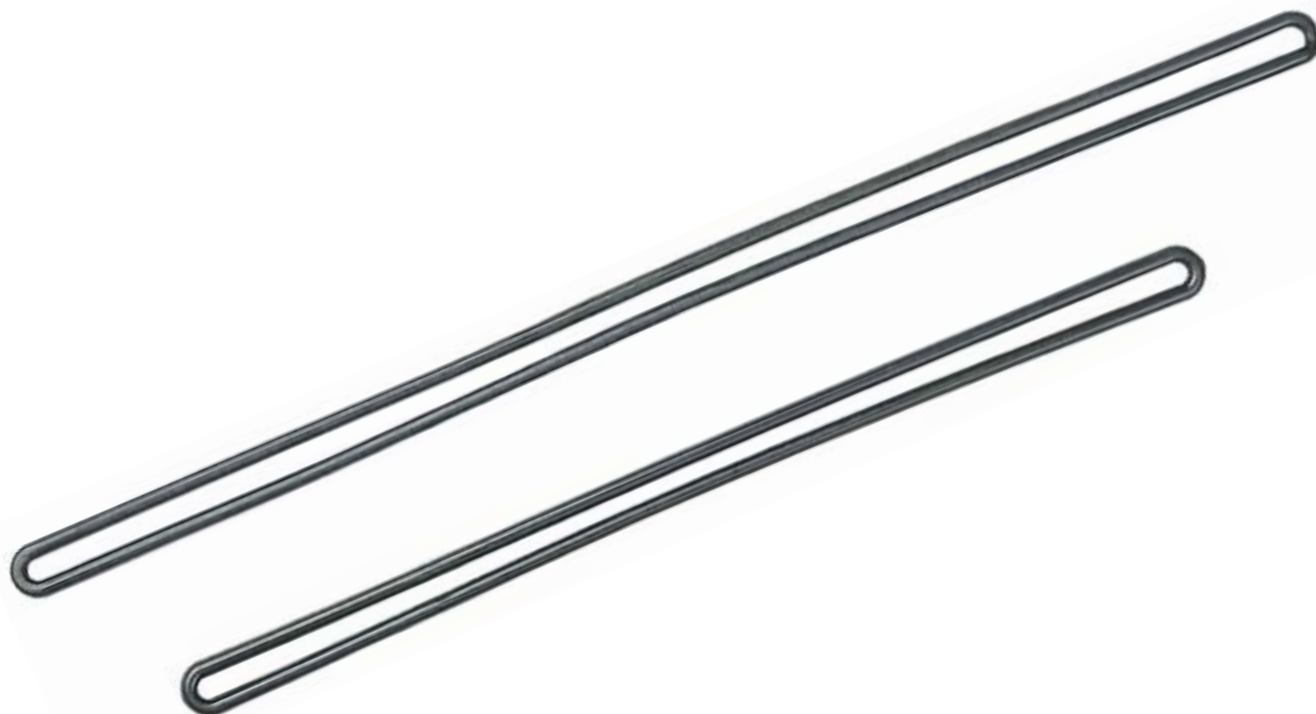
NOME
NAME _____

VIA
ADDRESS _____

CITTA'
CITY _____

LAC

MOD.	MAT.	COL.	mm					
LAC/1	PP	Std.	180					
LAC/2	PP	Std.	140					



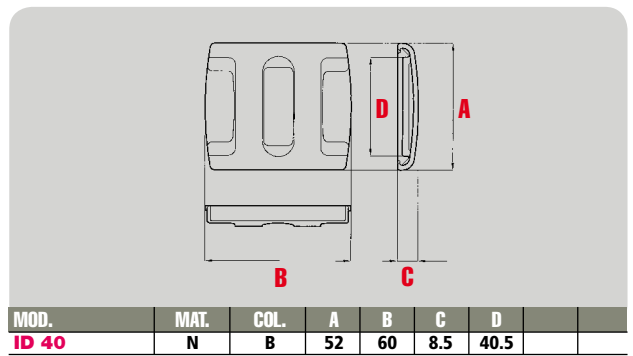
CPA



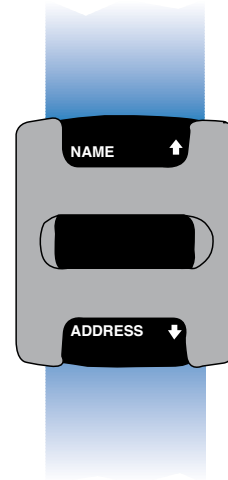
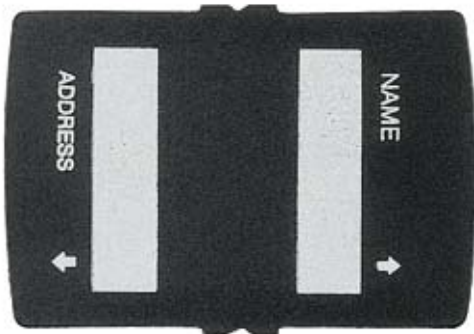
CARD PER CPA

NOME	_____
NAME	_____
VIA	_____
ADDRESS	_____
CITTA'	_____
CITY	_____

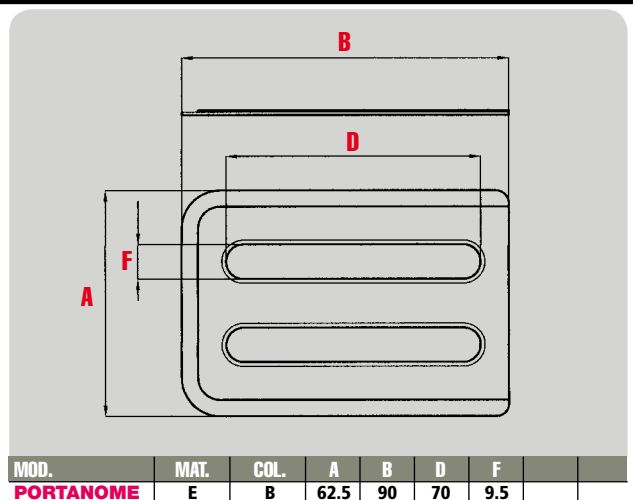
ID/40



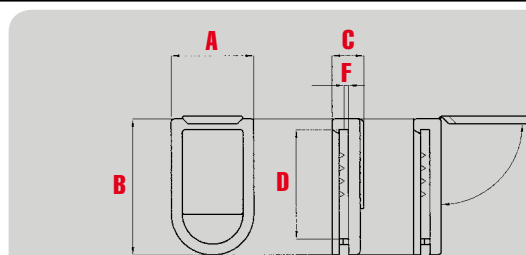
ID/CARD



PORTANOME 90X65



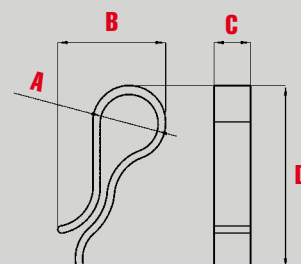
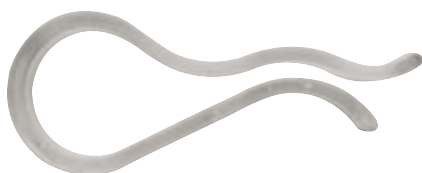
IDENTICLIP



MOD.	MAT.	COL.	A	B	C	D	F
IDENTICLIP	N	B	30.2	50	11.6	40.2	1.6

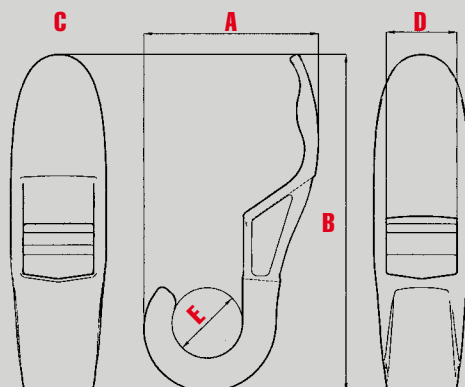
**ACCESSORI
ACCESSORIES**

GT



MOD.	MAT.	COL.	A	B	C	D
GT	MTC	TRASP	Ø 17.5	32.5	11	55

GSM/25



MOD.	MAT.	COL.	A	B	C	D	E
GSM/25	A	B	62.5	12.2	34.5	25.5	Ø 24



NYLON 6 - 6/6 PROPRIETÀ

Il Nylon assorbe il 2,5% del suo peso per raggiungere il punto esatto di equilibrio. La differenza tra Nylon "umidificato" e "secco" è fondamentale per i test di resistenza che vengono effettuati in una condizione di equilibrata umidità.

- Alta resistenza meccanica
- Ottima rigidità
- Ottima stabilità dimensionale a caldo
- Eccellente tenacità anche a temperature sotto zero
- Buona resistenza al fuoco
- Buona resistenza agli oli, grassi e solventi
- Buona tingibilità

ACETALICA PROPRIETÀ

- Alta rigidità
- Alta resistenza meccanica
- Buone proprietà elastiche
- Eccellente resistenza all'urto
- Buona resistenza agli oli, grassi e solventi
- Basso assorbimento d'acqua

POLIPROPILENE PROPRIETÀ

- Eccellente resistenza chimica incluso gli acidi
- Equilibrato rapporto tra tenacità, rigidità, durezza
- Basso assorbimento d'acqua

POLIESTERE PROPRIETÀ

- Alta rigidità e durezza superficiale
- Bassa tendenza al creep
- Elevata temperatura di distorsione nel breve periodo fino a 200 °C
- Buona resistenza all'abrasione
- Buone proprietà isolanti
- Minimo assorbimento d'acqua
- Buona resistenza chimica
- Buona resistenza all'impatto a bassa temperatura

NYLON 6 - 6/6 PROPERTIES

Nylon will absorb 2.5% of its own body weight to achieve its equilibrium point. The difference between a "wet" and "dry" Nylon is substantial for property testing specification that are made in a "wet" equilibrium condition.

- High mechanical strength
- Great rigidity
- Great stability to heat
- Excellent toughness even at subzero temperatures
- Good fire behaviour
- Good resistance to oils, grease and solvents
- Dyes very easily

ACETAL PROPERTIES

- High rigidity
- High mechanical strength
- Good elasticity
- Excellent abrasion resistance
- Good resistance to oils, grease and solvents
- Low water absorption

POLYPROPYLENE PROPERTIES

- Excellent chemical resistant including acids
- Ideal combination of medium strength and creep strength
- Low water absorption

POLYESTER PROPERTIES

- High rigidity and hardness
- Low tendency to creep
- Short term heat distortion temperature
- Good abrasion resistance
- Good insulation properties
- Minimal water absorption
- Good chemical resistance
- Good impact strenght at low temperatures

Tabella comparativa materiali

2M material comparative property table

PROPERTY	UNIT	NYLON		ACETAL	PP	PBT
		PA6	PA66	POM	CO	PBT
MECHANICAL						
Tensile strength at Break 23 °C	MPa	35	40	64	22	-
Tensile modulus	MPa	1100	1600	2600	1400	2600
Tensile strain at break	%	80	200	32	50	-
Flexural modulus	MPa	1000	1300	2450	1050	2200
Charpy unnotched impact strength	kJ/m ²	NB	NB	-	NB	NB
Charpy notched impact strength	kJ/m ²	-	-	5,5	7	< 10
THERMAL						
Melting point	°C	222	263	166	162	225
Temperature range	°C	-40/+80	-40/+80	-40/+80	-15/+80	-40/+100
MISCELLANEOUS PROPERTIES						
Density	g/cm ³	1,14	1,14	1,41	0,9	1,31
Water Absorption 24hrs at 24 °C	%	1,3	1,2	0,65	0	0,2

NOTE: I DATI RIPORTATI SONO INDICATIVI E RIFERITI AI MATERIALI DA NOI UTILIZZATI.

NOTES: FIGURES QUOTED ARE AN AVERAGE INDICATION ONLY AND ARE REFERRED TO MATERIALS WE ARE MANUFACTURING.